



JRS

FARM PARTS

TRACTOR LINKAGE PARTS CATALOGUE

www.jrsfarmparts.com

Tractor Linkage Parts Catalogue
www.jrsfarmparts.com



TOP LINK ASSEMBLY
13



TOP LINK END
18



WELD ON END
20



BALLS
22



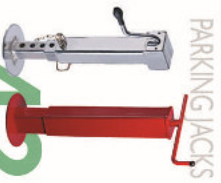
BUSHES
27



HITCH PINS
28



PINS
32



PARKING JACKS
42



LINCH PINS
44



R - PINS
46



ADJUSTABLE LEVELING ARM
48



STABILIZER ASSEMBLY
49



STABILIZER ENDS
50



DRAW BARS
52



U - BOLTS
54



DROP LOCK PINS & CLEVISES
55



THREE-POINTS LINKAGE SYSTEM
56



WEATHER CAP & GREASE NIPPLES
58



LEVELLING ASSEMBLY
59



HARROW DISC & DISC HARROW AXLE
61



FINGERS
62



BLADES
63



RASP BARS
64



HARVESTER PARTS
65



HAND TOOLS
67



®

INDEX

www.jrsfarmparts.com



J.R. Singhal
Managing Director

Vision
Mission
& Values

Our
VISION



WORKS



Mr. J.R. Singhal, the Managing Director of Eastman Industries Limited receiving the National Export Award Trophy from honourable Shri Atal Bihari Vajpayee, Then Prime Minister of India.



www.jrsfarmparts.com

company profile

Dear Customer,

This catalogue is to offer our valued customers a complete range of tractor linkage parts, agriculture implements, trailer parts of forgings to cater the increasing need of agricultural machinery industry. Ever Since our establishment three decades ago the company has moved itself to become one of the most respectable entrepreneurial philosophies and integrated corporate policies have mobilised the company to become a Government approved Manufacturer Exporter entirely focusing on international trade.

Eastman Cast and Forge Limited (ECFL) is another manufacturing venture of Eastman group which produces Hand Tools, Power Tools, Forgings and sell them world wide. ECFL is an OEM supplier to india's leading automotive and agricultural industries such as John Deere, Mahindra & Mahindra , New Holland Tractor, etc

As a customer focused organization and to increase its competitiveness in the overseas market the company has full fledged infrastructure to be competitive in all respects. We have developed trained professionals in quality control at manufacturing processes as well as before shipment to ensure the best quality products and efficient service from Eastman every time and all the time. In our journey to new horizons, we look forward to your valued association as our overseas business partners.

With warm regards,

J.R.Singhal
Managing Director
EastmanIndustriesLimited

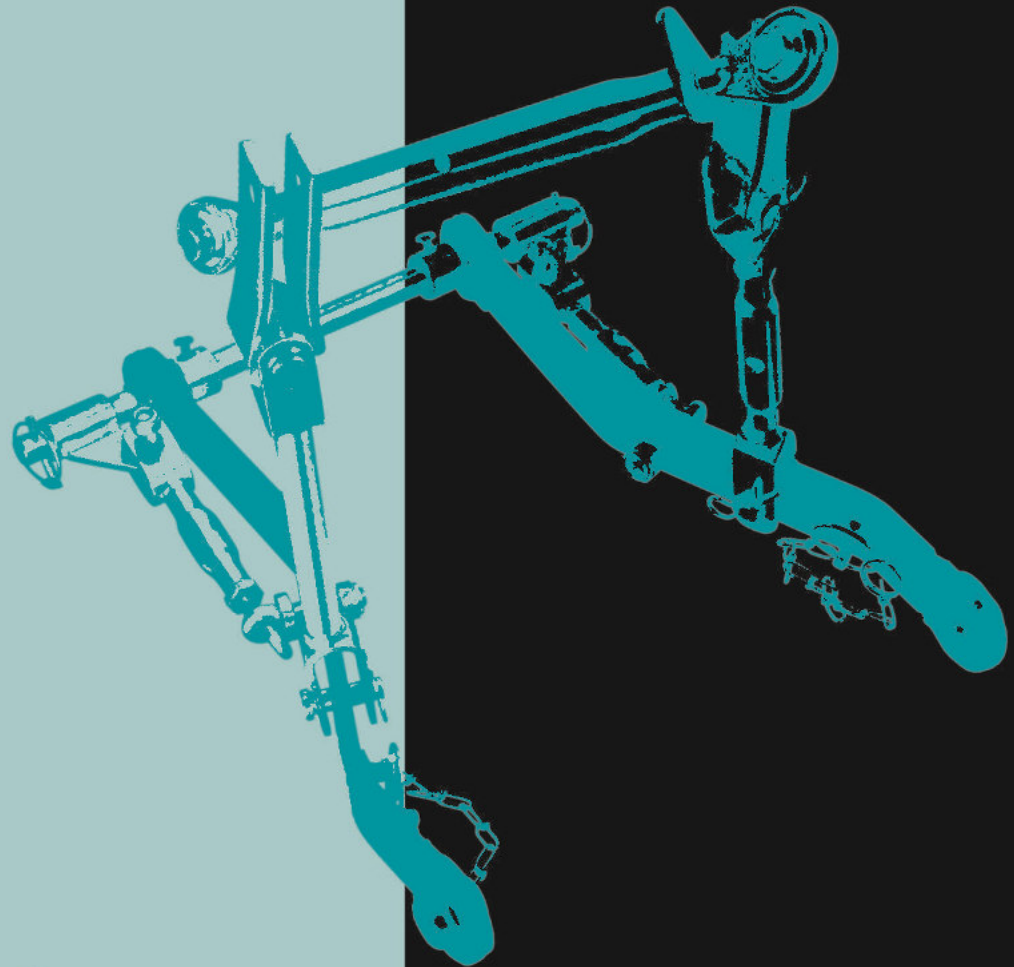


www.jrsfarmparts.com



Glimpses of our Capabilities
& Infrastructure

That's why we say **MADE IN JRS**



OUR PRODUCTION RANGE INCLUDES :-

- Three Point Linkage Parts
- Farm Parts
- Forgings
- Turned Machined Components
- Customized Products as per Customer Specifications.

www.jrsfarmparts.com



With all this global warming talk, the greenhouse effect and the shifting of the weather belts, we figured the environment needed help. We couldn't change the climate. We couldn't stop the floods or patch up the hole in the ozone. So we did what we could for the environment - make it look great.



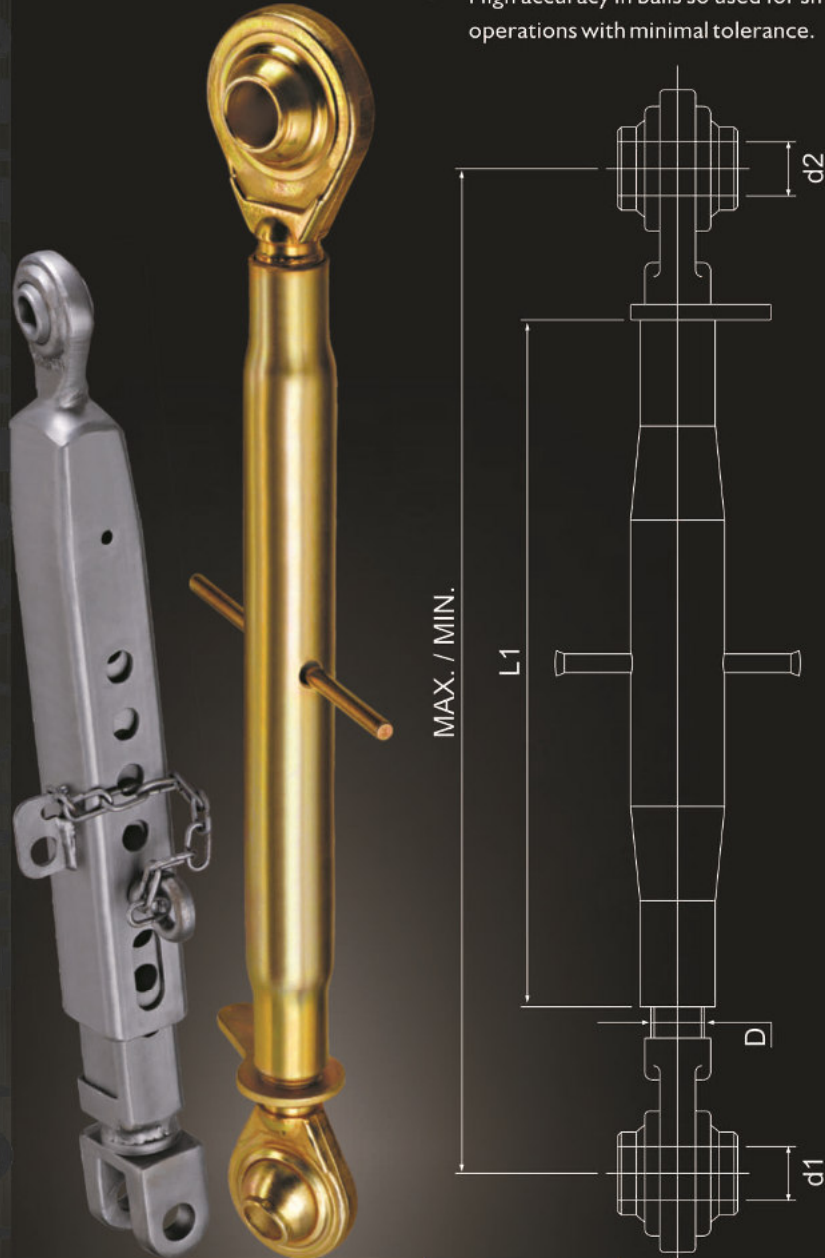
REUSE 
REDUCE
RECYCLE



JRS FARM PARTS

TECHNICAL PARAMETERS

- Seamless Pipe/ERW
- Machining from Mazak Japanese CNC machine technology.
- Pipe Wall thickness is 3.5mm to 5.0mm and available in Ø 32mm to 52mm
- High accuracy in balls so used for smooth operations with minimal tolerance.



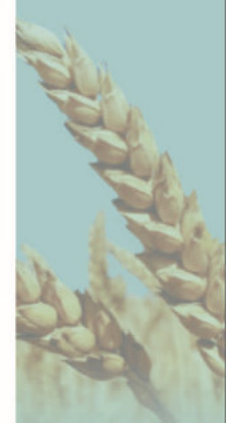
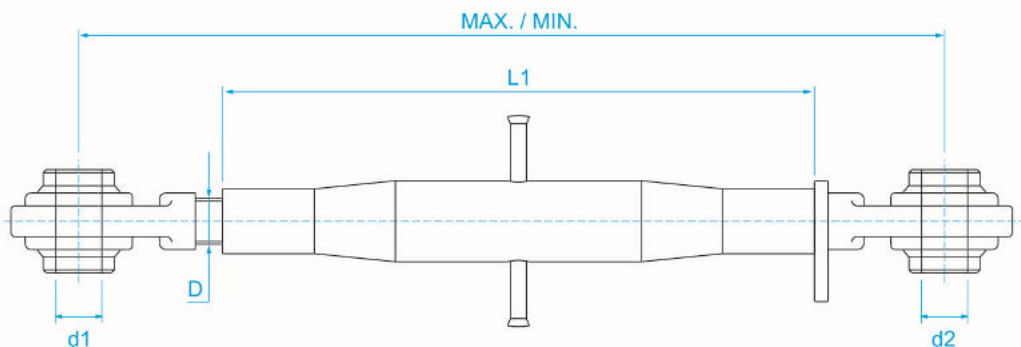
ITEM	HEAT TREATMENT	MATERIAL
TOP LINK ASSEMBLY	AS PER CUSTOMER'S REQUIREMENT	END-EN-8 / LC PIPE - LOW CARBON STEEL



TOP LINK ASSEMBLIES

TOP LINK ASSEMBLIES BRACCIO 3 PUNTO COMPLETO

CODE	CAT d1 - d2	Pipe L1	Thread D	Min.	Max.
ETL1900190	0-0	7.1/2"	3/4 UNC	11"	16.3/8"
ETL1900248	0-0	9.3/4"	3/4 UNC	13.3/8"	18.5/8"
ETL2811178	1-1	7"	1.1/8 UNC	11.5/8"	14.3/4"
ETL2812178	1-2	7"	1.1/8 UNC	11.3/4"	15"
ETL2822178	2-2	7"	1.1/8 UNC	12"	15.1/8"
ETL2811228	1-1	9"	1.1/8 UNC	13.5/8"	18.3/4"
ETL2812228	1-2	9"	1.1/8 UNC	13.3/4"	19"
ETL2822228	2-2	9"	1.1/8 UNC	14"	19.1/4"
ETL2811260	1-1	11.1/4"	1.1/8 UNC	16"	24"
ETL2812260	1-2	11.1/4"	1.1/8 UNC	16.3/8"	24.1/4"
ETL2822260	2-2	11.1/4"	1.1/8 UNC	16.1/2"	24.3/8"
ETL2811330	1-1	13"	1.1/8 UNC	17.1/2"	26.3/4"
ETL2812330	1-2	13"	1.1/8 UNC	17.3/4"	27"
ETL2822330	2-2	13"	1.1/8 UNC	18.1/8"	27.1/8"
ETL2811368	1-1	14.1/2"	1.1/8 UNC	19"	27"
ETL2812368	1-2	14.1/2"	1.1/8 UNC	19.1/2"	27.1/8"
ETL2822368	2-2	14.1/2"	1.1/8 UNC	20"	31.1/2"
ETL2811406	1-1	16"	1.1/8 UNC	20.1/2"	28"
ETL2812406	1-2	16"	1.1/8 UNC	20.3/4"	28.3/8"
ETL2822406	2-2	16"	1.1/8 UNC	21"	32.1/2"
ETL2811438	1-1	17.1/4"	1.1/8 UNC	21.5/8"	29.3/8"
ETL2812438	1-2	17.1/4"	1.1/8 UNC	22"	29.1/2"
ETL2822438	2-2	17.1/4"	1.1/8 UNC	22.1/4"	33.7/8"
ETL2811508	1-1	20"	1.1/8 UNC	24.3/8"	32"
ETL2812508	1-2	20"	1.1/8 UNC	24.3/4"	32.1/4"
ETL2822508	2-2	20"	1.1/8 UNC	25"	36.3/8"
ETL2811610	1-1	24"	1.1/8 UNC	28.1/2"	36"
ETL2812610	1-2	24"	1.1/8 UNC	28.3/4"	36.1/4"
ETL2822610	2-2	24"	1.1/8 UNC	28.7/8"	40.1/2"
ETL3222380	2-2	15"	1.1/4 UNC	20"	30.7/8"
ETL3222482	2-2	19"	1.1/4 UNC	24"	35.1/4"





TOP LINK ASSEMBLIES

TOP LINK ASSEMBLIES BRACCIO 3 PUNTO COMPLETO

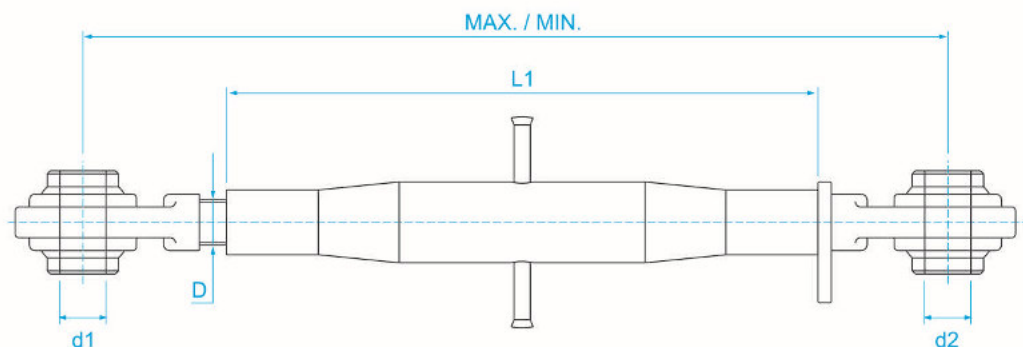
THREAD M 22 x 2.5

CODE	CAT d1 - d2	Pipe L1	Thread D	Min.	Max.
ETL2211180	1-1	180	M22 x 2.5	290	440
ETL2211220	1-1	220	M22 x 2.5	330	480
ETL2211230	1-1	230	M22 x 2.5	340	490
ETL2211300	1-1	300	M22 x 2.5	410	560
ETL2211280	1-1	280	M22 x 2.5	390	540

TOP LINK ASSEMBLIES BRACCIO 3 PUNTO COMPLETO

THREAD M 24 x 3

CODE	CAT d1 - d2	Pipe L1	Thread D	Min.	Max.
ETL2411120	1-1	120	M24 x 3	230	410
ETL2411140	1-1	140	M24 x 3	250	430
ETL2411150	1-1	150	M24 x 3	260	440
ETL2411165	1-1	165	M24 x 3	275	445
ETL2411180	1-1	180	M24 x 3	290	470
ETL2411200	1-1	200	M24 x 3	310	490
ETL2411230	1-1	230	M24 x 3	340	520
ETL2411250	1-1	250	M24 x 3	360	540
ETL2411270	1-1	270	M24 x 3	380	560
ETL2411300	1-1	300	M24 x 3	410	590
ETL2411330	1-1	330	M24 x 3	440	620
ETL2411370	1-1	370	M24 x 3	470	650
ETL2411400	1-1	400	M24 x 3	500	680
ETL2422350	2-2	350	M24 x 3	440	620
ETL2422400	2-2	400	M24 x 3	500	680



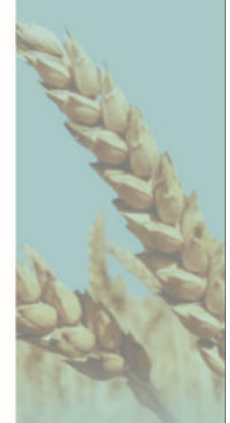
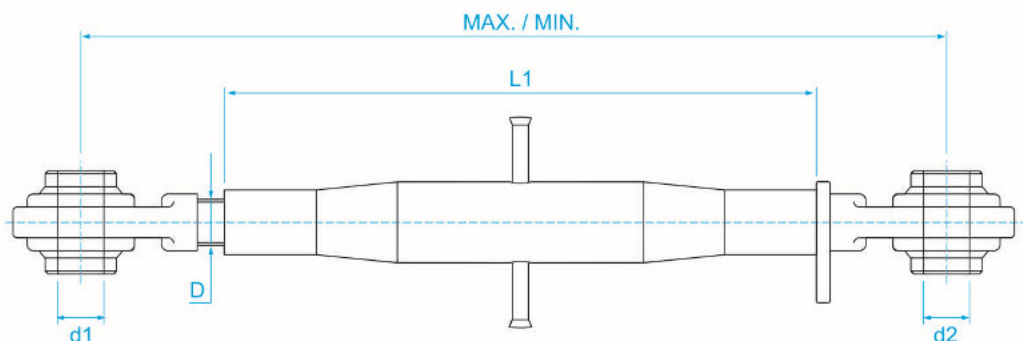


TOP LINK ASSEMBLIES

TOP LINK ASSEMBLIES BRACCIO 3 PUNTO COMPLETO

THREAD M 27 x 3

CODE	CAT d1 - d2	Pipe L1	Thread D	Min.	Max.
ETL2711275	1-1	275	M27 x 3	395	625
ETL2722275	2-2	275	M27 x 3	395	645
ETL2711320	1-1	320	M27 x 3	440	670
ETL2712320	1-2	320	M27 x 3	440	680
ETL2722320	2-2	320	M27 x 3	440	690
ETL2711350	1-1	350	M27 x 3	470	700
ETL2712350	1-2	350	M27 x 3	470	710
ETL2722350	2-2	350	M27 x 3	470	720
ETL2711370	1-1	370	M27 x 3	490	720
ETL2712370	1-2	370	M27 x 3	490	730
ETL2722370	2-2	370	M27 x 3	490	740
ETL2711380	1-1	380	M27 x 3	500	730
ETL2712380	1-2	380	M27 x 3	500	740
ETL2722380	2-2	380	M27 x 3	500	750
ETL2711400	1-1	400	M27 x 3	520	750
ETL2712400	1-2	400	M27 x 3	520	760
ETL2722400	2-2	400	M27 x 3	520	770
ETL2711430	1-1	430	M27 x 3	550	780
ETL2712430	1-2	430	M27 x 3	550	790
ETL2722430	2-2	430	M27 x 3	550	800
ETL2711450	1-1	450	M27 x 3	570	800
ETL2712450	1-2	450	M27 x 3	570	810
ETL2722450	2-2	450	M27 x 3	570	820
ETL2711470	1-1	470	M27 x 3	590	820
ETL 2712470	1-2	470	M27 x 3	590	830
ETL 2722470	2-2	470	M27 x 3	590	840
ETL 2711500	1-1	500	M27 x 3	620	850
ETL 2712500	1-2	500	M27 x 3	620	860
ETL 2722500	2-2	500	M27 x 3	620	870
ETL 2722550	2-2	550	M27 x 3	670	920
ETL 2722570	2-2	570	M27 x 3	690	940



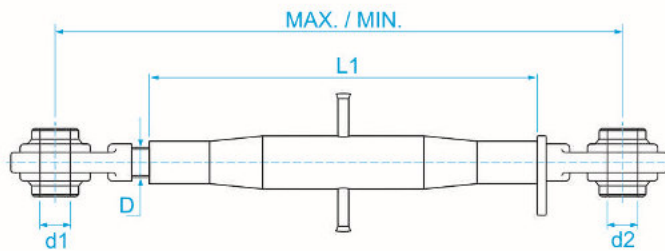


TOP LINK ASSEMBLIES

TOP LINK ASSEMBLIES BRACCIO 3 PUNTO COMPLETO

THREAD M 30 x 3 (HEAVY DUTY PIPE)

CODE	CAT d1 - d2	Pipe L1	Thread D	Min.	Max.
ETL3022330H	2-2	330	M30 x 3	460	700
ETL3022370H	2-2	370	M30 x 3	500	740
ETL3022400H	2-2	400	M30 x 3	530	770
ETL3022450H	2-2	450	M30 x 3	580	820
ETL3022500H	2-2	500	M30 x 3	630	870
ETL3022600H	2-2	600	M30 x 3	730	970



TOP LINK ASSEMBLIES BRACCIO 3 PUNTO COMPLETO

THREAD M 30 x 3

CODE	CAT d1 - d2	Pipe L1	Thread D	Min.	Max.
ETL3011370	1-1	370	M30 x 3	500	720
ETL3012370	1-2	370	M30 x 3	500	730
ETL3022370	2-2	370	M30 x 3	500	740
ETL3011400	1-1	400	M30 x 3	530	750
ETL3012400	1-2	400	M30 x 3	530	760
ETL3022400	2-2	400	M30 x 3	530	770
ETL3011450	1-1	450	M30 x 3	580	800
ETL3012450	1-2	450	M30 x 3	580	810
ETL3022450	2-2	450	M30 x 3	580	820
ETL3022460	2-2	460	M30 x 3	590	830
ETL3011500	1-1	500	M30 x 3	630	850
ETL3012500	1-2	500	M30 x 3	630	860
ETL3022500	2-2	500	M30 x 3	630	880
ETL3022520	2-2	520	M30 x 3	650	900
ETL3022550	2-2	550	M30 x 3	650	930
ETL3022560	2-2	560	M30 x 3	690	940
ETL3022600	2-2	600	M30 x 3	730	980
ETL3022650	2-2	650	M30 x 3	780	1030
ETL3022700	2-2	700	M30 x 3	830	1080
ETL3022720	2-2	720	M30 x 3	880	1100



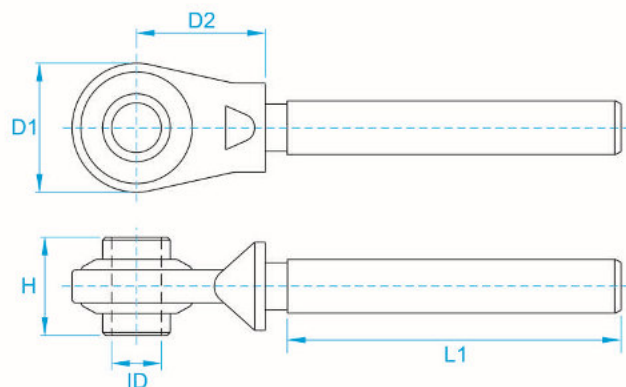


TOP LINK END

TOP LINK END (UNC)

TIRANTI FILETTATI CON ROTULA SFERICA

CODE	CAT	I D	Thread	L1	D1	D2	H
ETLER00	0	16	3/4 UNCR	105	47	30	25.4
ETLEL00	0	16	3/4 UNCL	105	47	30	25.4
ETLER11	1	19	1.1/8 UNCR	155	58	53	44
ETLEL11	1	19	1.1/8 UNCL	155	58	53	44
ETLER20	2	25.4	1.1/8 UNCR	190	66	58	51
ETLEL20	2	25.4	1.1/8 UNCL	190	66	58	51
ETLER22	2	25.4	1.1/8 UNCR	180	76	66	51
ETLEL22	2	25.4	1.1/8 UNCL	180	76	66	51



TOP LINK END (MM)

TIRANTI FILETTATI CON ROTULA

CODE	CAT	I D	Thread	L1	D1	D2	H
ETLE22R01	1	19	M22 x 2.5R	95	50	58	44
ETLE22L01	1	19	M22 x 2.5L	95	50	58	44
ETLE22R02	1	19	M22 x 2.5R	120	50	58	44
ETLE22L02	1	19	M22 x 2.5L	120	50	58	44
ETLE24R03	1	19	M24 x 3R	60	50	58	44
ETLE24L03	1	19	M24 x 3L	60	50	58	44
ETLE24R04	1	19	M24 x 3R	85	50	58	44
ETLE24L04	1	19	M24 x 3L	85	50	58	44
ETLE24R05	1	19	M24 x 3R	120	50	58	44
ETLE24L05	1	19	M24 x 3L	120	50	58	44
ETLE24R06	1	19	M24 x 2.5R	120	50	58	44
ETLE24L06	1	19	M24 x 2.5L	120	50	58	44
ETLE27R07	1	19	M27 x 3R	120	50	58	44
ETLE27L07	1	19	M27 x 3L	120	50	58	44
ETLE27R08	1	19	M27 x 3R	155	50	58	44
ETLE27L08	1	19	M27 x 3L	155	50	58	44
ETLE27R09	2	25.4	M27 x 3R	135	56	66	51
ETLE27L09	2	25.4	M27 x 3L	135	56	66	51



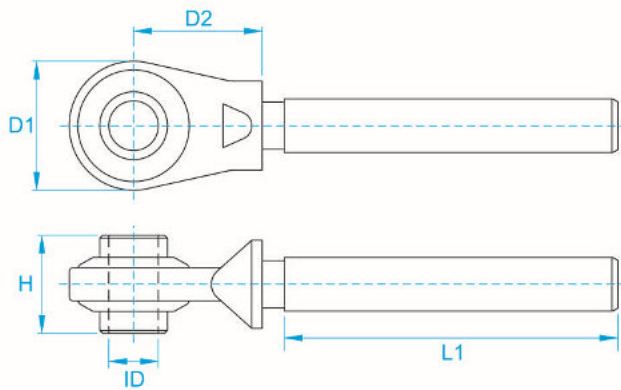


TOP LINK END

TOP LINK END (MM)

TIRANTI FILETTATI CON ROTULA

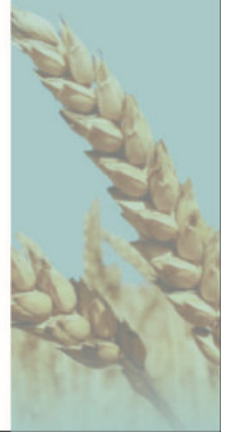
CODE	CAT	I D	Thread	L1	D1	D2	H
ETLE27R10	2	25.4	M27 x 3R	190	56	66	51
ETLE27L10	2	25.4	M27 x 3L	190	56	66	51
ETLE27R11	2	25.4	M27 x 3R	190	56	66	42
ETLE27L11	2	25.4	M27 x 3L	190	56	66	42
ETLE30R12	2	25.4	M30 x 3.5R	75	56	75	51
ETLE30L12	2	25.4	M30 x 3.5L	75	56	75	51



TOP LINK END (MM)

TIRANTI FILETTATI CON ROTULA

CODE	CAT	I D	Thread	L1	D1	D2	H
ETLE30L14	1	19	M30 x 3.5L	120	60	62	44
ETLE30R14	1	19	M30 x 3.5R	120	60	62	44
ETLE30L15	2	25.4	M30 x 3.5L	120	56	75	51
ETLE30R15	2	25.4	M30 x 3.5R	120	56	75	51
ETLE30L16	1	19	M30 x 3.5L	170	60	62	44
ETLE30R16	1	19	M30 x 3.5R	170	60	62	44
ETLE30L17	2	25.4	M30 x 3.5L	180	56	75	51
ETLE30R17	2	25.4	M30 x 3.5R	180	56	75	51
ETLE30L18	1	19	M30 x 3L	170	60	62	44
ETLE30R18	1	19	M30 x 3R	170	60	62	44
ETLE30L19	2	25.4	M30 x 3L	180	56	75	51
ETLE30R19	2	25.4	M30 x 3R	180	56	75	51



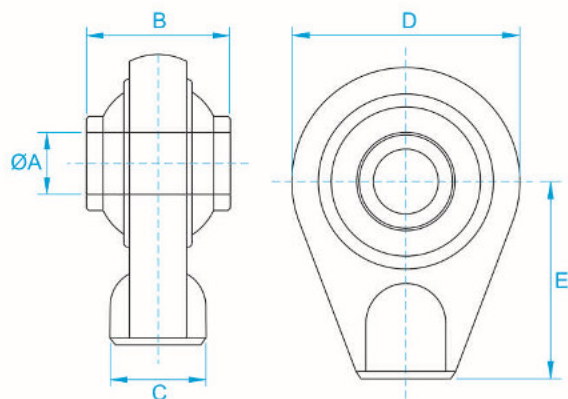


WELD ON END

WELD ON END

SUPPORTI CON ROTULA SFERICA

CODE	A	B	C	D	E
EWOET01	19.2	44	25	53	48
EWOET02	20.2	44	25	53	48
EWOET03	19.2	44	25	53	48
EWOET04	19.2	44	26	55	65
EWOET05	19.2	44	30	62	34
EWOET06	20.2	44	30	62	34
EWOET07	22.1	44	30	62	34
EWOET08	19.2	44	34	62	60
EWOET09	22.1	44	34	62	60
EWOET10	20.2	44	34	62	60
EWOET11	19.2	44	30	62	50
EWOET12	20.2	44	30	62	50
EWOET13	22.1	44	34	62	58
EWOET14	19.2	44	34	62	58
EWOET15	19.2	35	26	62	55
EWOET16	22.1	35	26	62	55
EWOET17	19.2	51	38	75	65
EWOET18	25.2	51	38	75	65
EWOET19	30.2	51	38	75	65
EWOET20	19.2	51	45	72	70
EWOET21	22.1	51	45	72	70
EWOET22	25.4	51	45	72	70
EWOET23	30.2	51	45	72	70
EWOET24	25.4	51	38	90	85
EWOET25	30.2	51	38	90	85
EWOET26	19.2	51	50	85	70
EWOET27	25.4	51	50	85	70
EWOET28	25.4	51	50	83	65
EWOET29	30.2	42	50	83	65
EWOET30	30.2	55	50	83	65
EWOET31	35.2	35	50	83	65
EWOET32	35.2	55	50	83	65
EWOET33	30.2	55	50	92	65
EWOET34	30.2	44	50	92	65
EWOET35	35.2	35	50	92	65

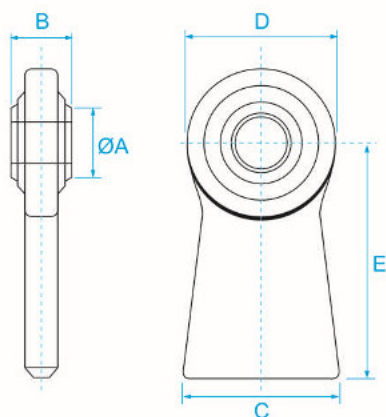




WELD ON END

WELD ON END SUPPOTI CON RITULA SFERICA

CODE	A	B	C	D	E
EWOEL01	16.2	20	30	46	60
EWOEL02	19.2	44	50	52	50
EWOEL03	20.2	44	50	52	50
EWOEL04	19.2	35	50	65	43
EWOEL05	22.1	35	50	65	43
EWOEL06	22.1	35	70	76	50
EWOEL07	25.4	35	70	76	50
EWOEL08	28.2	35	70	76	50
EWOEL09	22.1	35	70	83	55
EWOEL10	25.4	35	70	83	55
EWOEL11	28.2	35	70	83	55
EWOEL12	28.2	45	70	83	55
EWOEL13	25.4	35	70	80	80
EWOEL14	28.2	35	70	80	80
EWOEL15	28.2	45	70	80	80
EWOEL16	22.1	45	70	80	65
EWOEL17	25.4	45	70	80	65
EWOEL18	28.4	45	70	80	65
EWOEL19	30.2	45	70	80	65
EWOEL20	28.2	45	70	96	65
EWOEL21	34.4	45	70	96	65
EWOEL22	35.2	45	70	96	65
EWOEL23	37.4	45	70	96	65
EWOEL24	19.2	35	56	67	50
EWOEL25	22.1	35	56	67	50
EWOEL26	25.4	35	56	67	50
EWOEL27	22.1	35	58	67	75
EWOEL28	25.1	45	70	80	80
EWOEL29	28.2	45	90	106	90
EWOEL30	30.2	45	90	106	90
EWOEL31	34.4	45	90	106	90
EWOEL32	35.2	45	90	106	90
EWOEL33	37.4	45	90	106	90
EWOEL34	38.4	45	90	106	90
EWOEL35	28.4	45	70	80	110

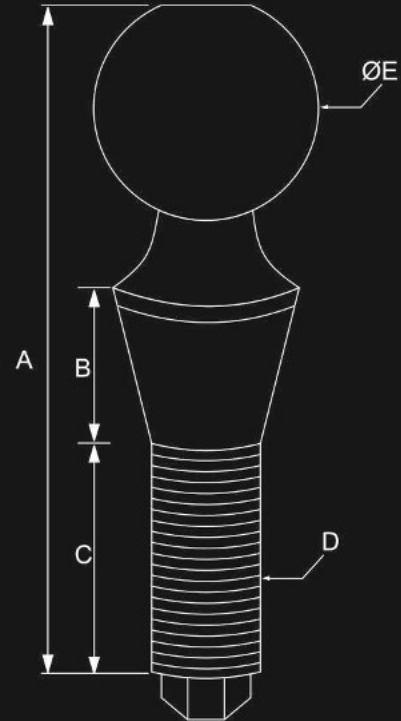




JRS BALLS

TECHNICAL PARAMETERS

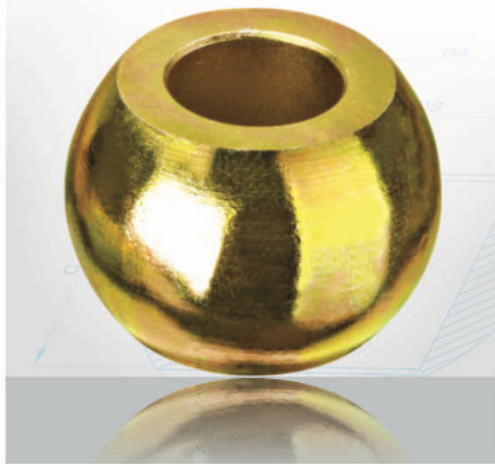
- Made by Muratec Roboting Arm CNC Automatic Loading/Unloading based technology.
- Tolerance Limits in Micron for High accuracy.
- Provides smooth operation with minimal clearance.
- Superb abrasion resistance.
- Ideally suitable for link motion machining.
- Load Tested at 1500 N.



ITEM	HEAT TREATMENT	MATERIAL
BALLS	AS PER CUSTOMER'S REQUIREMENT	LOW CARBON STEEL / EN-8 / 16Mn Cr5

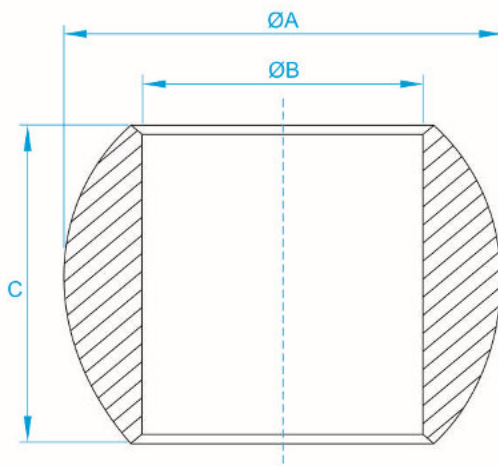


BALLS



LOWER LINK BALLS ROTULA PER BRACCIO INFERIORE

CODE	A	B	C
ELLB441935	44.5	19	35
ELLB442235	44	22.1	35
ELLB452235	44.5	22.1	35
ELLB462833	46	28.4	33.5
ELLB482235	48	22.1	35
ELLB482535	48	25.4	35
ELLB502540	50	25.4	40
ELLB502940	50	29	40
ELLB503825	50.8	38	25
ELLB543555	54	35	55
ELLB562235	56	22.1	35
ELLB562245	56	22.1	45
ELLB562535	56	25.4	35
ELLB562835	56	28.4	35
ELLB562838	56	28.4	38
ELLB562845	56	28.4	45
ELLB562945	56	28.6	45
ELLB572945	56.5	28.6	45
ELLB572845	56.8	28.4	44.8
ELLB572235	57	22.1	35
ELLB572535	57	25.4	35
ELLB572538	57	25.4	38
ELLB572835	57	28.4	35
ELLB572838	57	28.4	38
ELLB572842	57	28.4	42
ELLB572844	57	28.4	44.5
ELLB602551	60	25.4	51
ELLB622845	62.5	28.6	45
ELLB623745	62.5	37	45
ELLB633745	63.5	37	45
ELLB642245	64	22	45
ELLB642845	64	28.4	45
ELLB643845	64	38	45
ELLB643045	64	30.5	45
ELLB643245	64	32.5	45
ELLB643545	64	35.5	45
ELLB643745	64	37.5	45





BALLS

Let's Win... Together

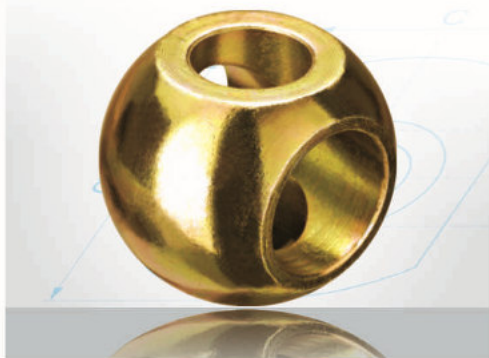
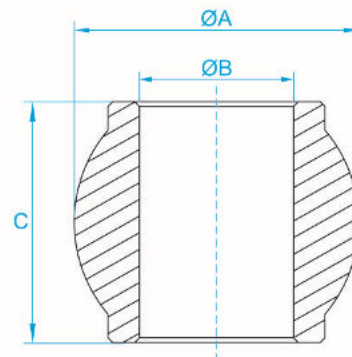
JRS



TOP LINK BALLS

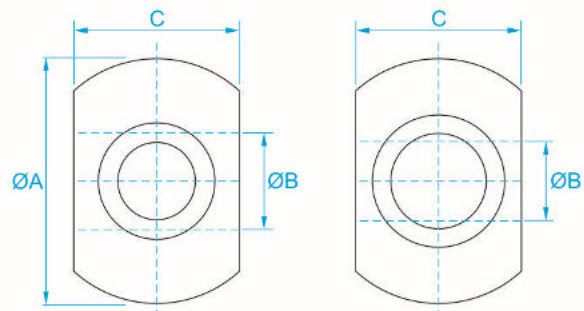
ROTULA PER GANCIO SUPERIORE

CODE	A	B	C
ETLB321625	32	16	25.4
ETLB381525	38	15.9	25.4
ETLB381941	38	19	41
ETLB381944	38	19	44
ETLB382044	38	20	44
ETLB461944	46	19	44
ETLB462044	46	20	44
ETLB462541	46	25.4	41
ETLB462544	46	25.4	44
ETLB462545	46	25.4	45
ETLB462551	46	25.4	51
ETLB502251	50	22.1	51
ETLB502544	50	25.4	44
ETLB502551	50	25.4	51
ETLB511944	50.8	19	44
ETLB512544	50.8	25.4	44.5
ETLB512844	50.8	28.4	44.5
ETLB542551	54	25.4	51
ETLB543055	54	30	55
ETLB543251	54	32	51
ETLB543555	54	35	55
ETLB602551	60	25.4	51
ETLB603151	60	31.7	51
ETLB602550	60	25.4	50
ETLB603250	60	32.5	50



BALL (DOUBLE BORE) ROTULE DI RICAMBIO

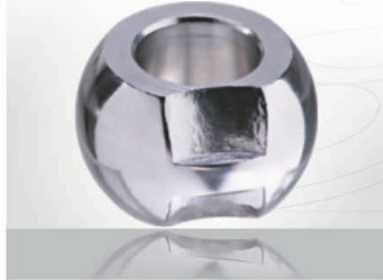
CODE	A	B	C
EBDB2228	56	22.1/28.7	44.5





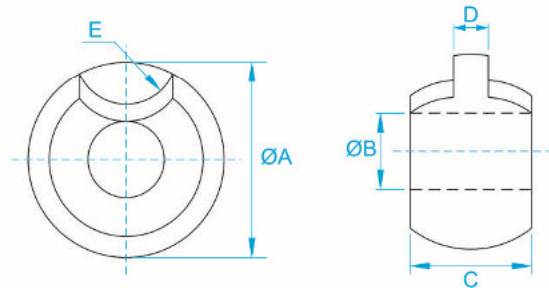
BALLS

Let's Win... Together



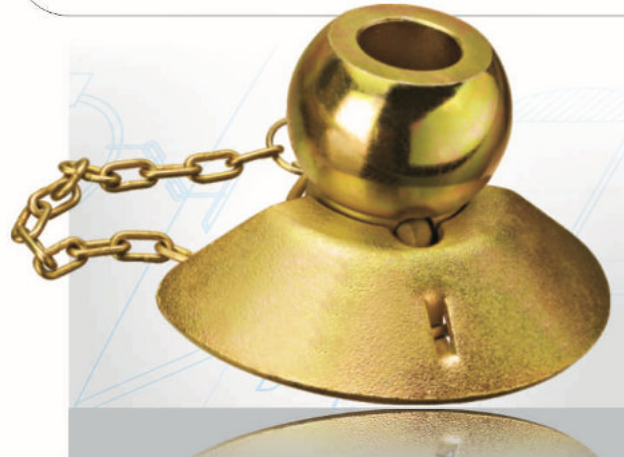
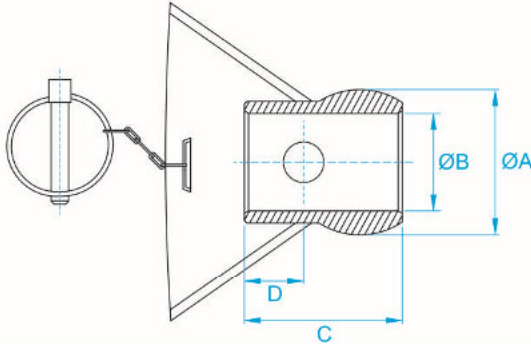
BALL WITH CUT ROTULA PER BRACCIOINFERIORE

CODE	A	B	C	D	E
EBWC22	56.5	22	35	10	R35
EBWC28	56.5	28.6	44.5	10	R35



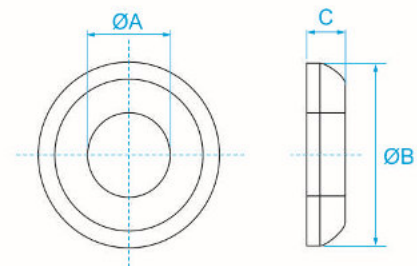
GUIDE CONE BALL CONI GUIDA CON ROTULA

CODE	A	B	C	D
EGCB5628	56	28.4	68	20
EGCB5637	56	37.6	68	20
EGCB6428	64	28.4	72	20
EGCB6432	64	32.5	72	20
EGCB6437	64	37	72	20



SPACERS Distanziali per Rotule Senza Cono

CODE	A	B	C
ES2856	28	56	7
ES2864	28	64	7
ES3864	38	64	7





BALLS

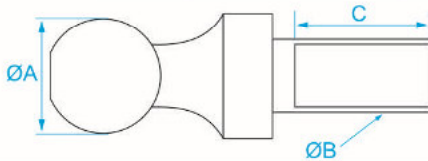
Let's Win... Together



HITCH BALL

ATTACCO A SFERA

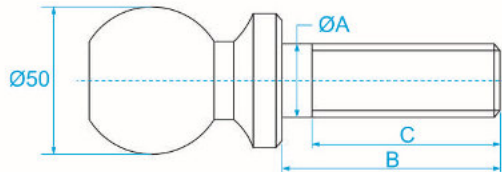
CODE	Max. Load	ØA Inch	Thread ØB Inch	Length C Inch
EHB54 - 01	2000	1-7/8	3/4	1-3/4
EHB54 - 02	3500	2	3/4	1-3/4
EHB54 - 03	5000	2	1	2-1/8
EHB54 - 04	7500	2-5/16	1-1/4	2-1/8



HITCH BALL

ATTACCO A SFERA

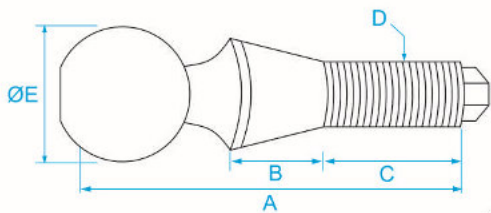
CODE	ØA	B	C
EHB54 - 08	19	70	57
EHB54 - 09	22	70	57
EHB54 - 10	25.4	70	57



HITCH BALL

ATTACCO A SFERA

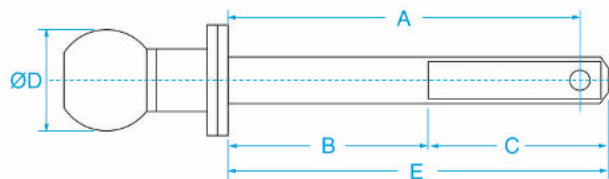
CODE	Dim. A mm	Dim. B mm	Dim. C mm	Thread D mm	ØE mm
EHB54 - 05	210.3	50.8	76.2	1.1/2-12UNF	58.73



HITCH BALL

ATTACCO A SFERA

CODE	Dim. A mm	Dim. B mm	Dim. C mm	ØD mm	Dim. E mm	Thread Size
EHB54 - 06	162	100	90	50	190	7/8"
EHB54 - 07	162	100	90	50	190	1"





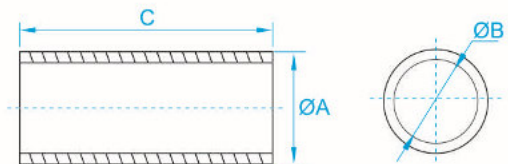
BUSHES

Let's Win... Together



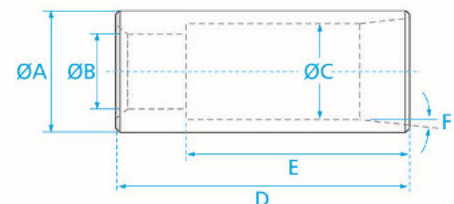
REPLACEMENT BUSHES BUSSOLE DI RIDUZIONE

CODE	ØA mm	ØB mm	C mm
ERB191641	19	16	41
ERB221635	22	16	35
ERB251941	25.4	19	41
ERB251951	25.4	19	50.8
ERB282245	28.4	22.2	44.5
ERB282263	28.4	22.2	63
ERB282235	28.6	22.2	35
ERB282244	28.6	22.2	44
ERB282251	28.6	22.2	50.8
ERB322551	32	25.4	50.8
ERB362845	36.5	28.6	44.5



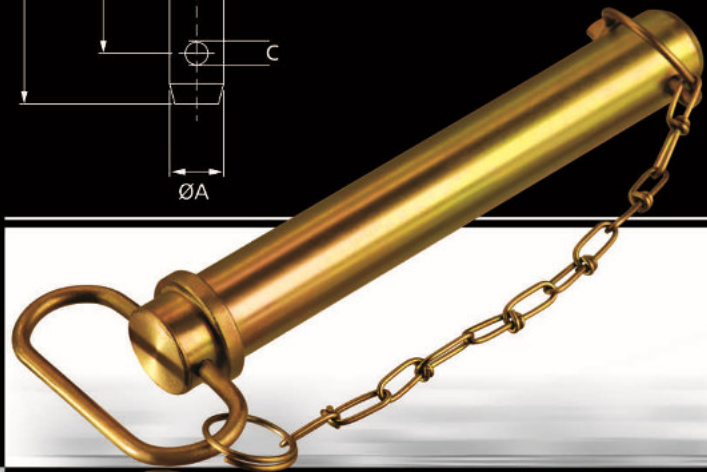
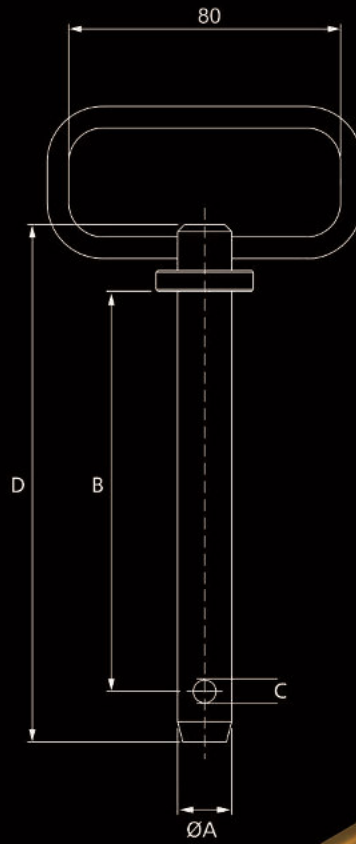
TINE BUSHES

CODE	Outer ØA mm	Inner ØB mm	Inner ØC mm	Length D mm	Depth E mm	Angle F Ship	Weight kg.
E25TIB024	38	25.4	31	95	74	4°30'	0.3
E25TIB008	40	23	25	105	78	5°	0.45
E25TIB006	41	24	32	110	79	5°	0.51
E25TIB007	41	24	32	110	79	5°	0.6
E25TIB003	41	25.4	30	108	80	5°30'	0.5
E25TIB018	45	25	0	110	0	5°	0.765
E25TIB010	50	23	29	110	85	6°	1.8
E25TIB009	50	25	29	110	85	6°	1.08
E25TIB016	50	28	0	105	0	10°	1.05
E25TIB004	50	30	36	108	80	5°30'	0.76
E25TIB011	50	30	39	110	84	6°	1.63
E25TIB025	51	25	32	110	109	5°30'	1.085
E25TIB005	51	30	38	110	86	5°	0.755
E25TIB012	55	32	0	120	0	4°30'	1.24
E25TIB002	57	12.59	40	120	105	5°30'	0
E25TIB047	33	0	14	63	46	3°	0.292
E25TIB048	33	0	16.5	63	48	1.5°	0.281
E25TIB049	33	0	16.5	63	48	1.5°	0.263
E25TIB050	33	0	16.5	63	48	1.5°	0.281
E25TIB051	33	0	16.5	63	48	1.5°	0.256
E25TIB052	45	22	28	97	75	5°	1.27
E25TIB053	50	32	39	110	84	5.5°	1.02
E25TIB054	60	32	39	110	84	5.5°	1.8



TECHNICAL PARAMETERS

- Made by Mazak, Japan CNC based technology.
- Tolerance upto ± 0.010 maintained.
- Material EN-8/L.C



PINS



ITEM	HEAT TREATMENT	MATERIAL
PINS	AS PER CUSTOMER'S REQUIREMENT	EN - 8 / L.C

** HANDLE STYLE AT MANUFACTURER'S OPTION.



PINS



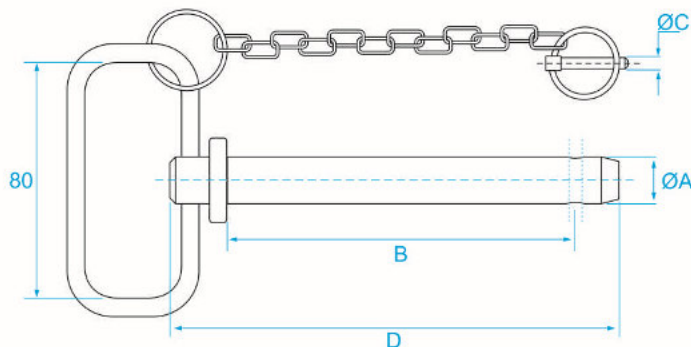
JRS



Let's Win... Together

HITCH PIN WITH CHAIN & LINCH PIN
SPINOTTO D' ATTACCO

CODE	A	B	C	D
EHPWLP12093	12.7	92.5	6.5	127
EHPWLP12111	12.7	111	6.5	146
EHPWLP16103	15.9	103	6.5	136
EHPWLP16111	15.9	111	6.5	146
EHPWLP16165	15.9	165	6.5	200
EHPWLP19102	19	102	6.5	140
EHPWLP19110	19	110	6.5	147
EHPWLP19111	19	111	8.5	148
EHPWLP19115	19	115	12	153
EHPWLP19164	19	165	8.5	200
EHPWLP19165	19	165	6.5	204
EHPWLP19166	19	165	8.5	204
EHPWLP22115	22	115	6.5	153
EHPWLP22128	22	128	6.5	168
EHPWLP22164	22	165	6.5	200
EHPWLP22165	22	165	10	204
EHPWLP25165	25	165	10	204
EHPWLP25166	25	165	6.5	204
EHPWLP25189	25	189	12	227
EHPWLP28100	28	100	12	138
EHPWLP28120	28	120	10	158
EHPWLP28156	28	156	12	196
EHPWLP28165	28	165	6.5	204
EHPWLP28190	28	190	6.5	228
EHPWLP28189	28	189	12	228
EHPWLP30183	30	183	12	220
EHPWLP32162	32	162	6.5	204
EHPWLP32189	32	189	12	227
EHPWLP32165	32	165	10	204
EHPWLP32191	32	191	6.5	228
EHPWLP35189	35	189	12	227
EHPWLP38187	38	187	12	227

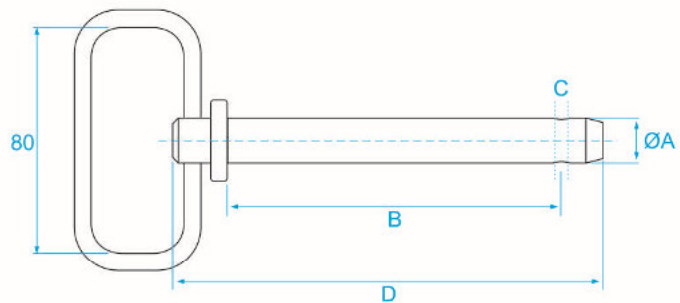




HITCH PIN

SPINOTTO D' ATTACCO

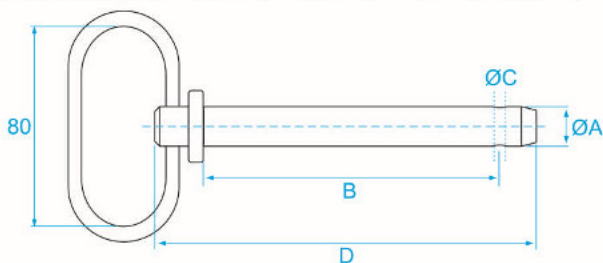
CODE	A	B	C	D
EHP12089	12.7	89	4	127
EHP12102	12.7	102	4	136
EHP12108	12.7	108	5	144
EHP12114	12.7	114	5	150
EHP16089	15.9	89	5	127
EHP16102	15.9	102	5	136
EHP16108	15.9	108	5	144
EHP16114	15.9	114	5	150
EHP16127	15.9	127	6	165
EHP16152	19	152	6	192
EHP19102	19	102	8	136
EHP19108	19	108	8	144
EHP19114	19	114	8	150
EHP19127	19	127	8	165
EHP19140	19	140	8	178
EHP19152	19	152	8	190
EHP19158	22	158	8	196
EHP22108	22	108	10	144
EHP22114	22	114	10	150
EHP22127	22	127	10	165
EHP22152	22	152	10	190
EHP22158	22	158	10	198
EHP22165	22	165	10	204
EHP25108	25.4	108	10	144
EHP25114	25.4	114	10	150
EHP25152	25.4	152	10	190
EHP25158	25.4	158	10	204
EHP25165	25.4	165	10	228
EHP25190	25.4	190	10	150
EHP28114	28	114	12	190
EHP28152	28	152	12	198
EHP28158	28	158	12	198
EHP28165	28	165	12	204
EHP28190	28	190	12	228
EHP32152	32	152	12	190
EHP32158	32	158	12	198
EHP32165	32	165	12	204
EHP32190	32	190	12	230
EHP35190	35	190	12	230
EHP38190	38	190	12	230



ORANGE HITCH PIN WITH HAIR PIN

SPINOTTO D' ATTACCO

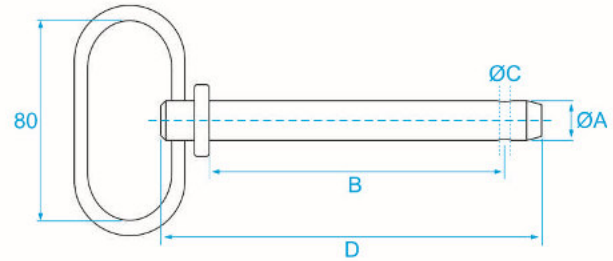
CODE	A	B	C	D
EOHP16155	16	155	4	192
EOHP19104	19	104	5	141
EOHP19162	19	162	5	199
EOHP22168	22	168	5	205
EOHP25175	25.4	175	6	212





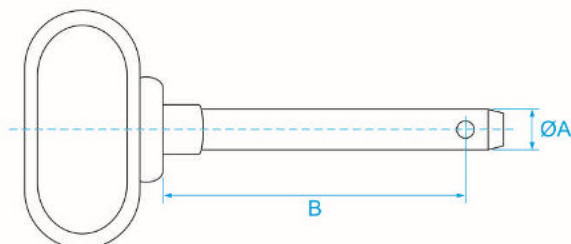
HITCH PIN WITH HAIR PIN SPINOTTO D' ATTACCO

CODE	A	B	C	D
EHPWRP12090	12.7	90	4	125
EHPWRP12105	12.7	105	3	142
EHPWRP12110	12.7	110	4	147
EHPWRP16105	15.9	105	4	136
EHPWRP16149	15.9	149	3.5	186
EHPWRP16162	16	162	4	199
EHPWRP19098	19	98	4.5	130
EHPWRP19110	19	110	4.5	147
EHPWRP19157	19	157	4.5	194
EHPWRP19162	19	162	4.5	199
EHPWRP22110	22	110	5	147
EHPWRP22157	22	157	5	194
EHPWRP22162	22	162	5	199
EHPWRP25103	25	103	5	140
EHPWRP25110	25.4	110	5.5	147
EHPWRP25158	25	158	6	194
EHPWRP25162	25	162	6	199
EHPWRP25181	25	181	6	214
EHPWRP25118	25	118	6	155
EHPWRP28183	28	183	7	220
EHPWRP28162	28.6	162	6.5	199
EHPWRP32162	32	162	7	199



RED HANDLE HITCH PIN SPERNI RIGIDI CON MANIGLIAN GOMMA

CODE	A	B
ERHHP12095	12.7	95
ERHHP16105	15.8	105
ERHHP16143	15.8	143
ERHHP19105	19	105
ERHHP19165	19	165
ERHHP22105	22	105
ERHHP22165	22.4	165
ERHHP25118	25.4	115
ERHHP25133	25.4	133
ERHHP25203	25.4	203
ERHHP28220	28.5	220
ERHHP32220	31.75	220
ERHHP38220	38.1	220



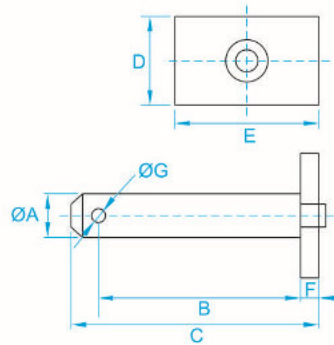


SQUARE HEAD PINS

PERNIA TESTA QUADRA FIAT

CODE	A	B	C	D	E	F	G
ESHP19088	19	88	109	40	65	8	6
ESHP24088	24	88	109	40	65	8	6

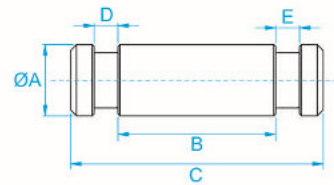
(also available Rectangular Head Pins)



CYLINDER PINS

PERNO DEL CILINDRO

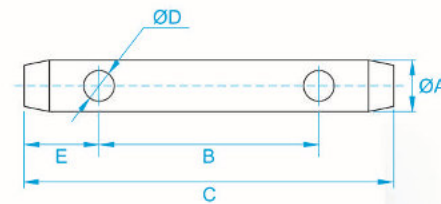
CODE	A	B	C	D	E
ECLP18052	18	52	70	6	6
ECLP18072	18	72	90	6	6
ECLP18082	18	82	100	6	6
ECLP20058	20	58	76	6	6
ECLP22052	22	52	70	6	6
ECLP24091	24	91	109	6	6
ECLP26057	26	57	76	6	6
ECLP28091	28	91	109	6	6



TOP LINK PIN WITHOUT HEAD

PERNO CON VERSO L'ESTERNO LA TESTA

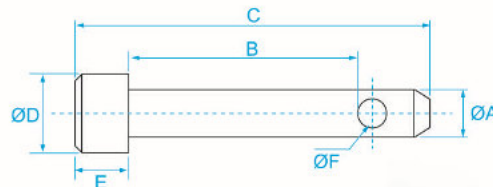
CODE	A	B	C	D	E
ETLPOH19140	19	96	140	12	22
ETLPOH19170	19	126	170	12	22
ETLPOH19207	19	163	207	12	22
ETLPOH19254	19	210	254	12	22
ETLPOH25164	25	120	164	12	22



SPECIAL TOP LINK PINS

PERNO D'ATTACCO ASALDARE

CODE	A	B	C	D	E	F
ETLP12057S	12	57	70	18	4	5
ETLP16081S	16	81	98	24	4.5	6.5
ETLP16059S	16	59	76	24	7	6.5
ETLP19060S	19	60	82	27	7	6.5
ETLP19093S	19	93	112	27	6	6.5
ETLP22120S	22	120	151	37	15	8.5
ETLP22135S	22	135	170	37	15	8.5
ETLP25120S	25	120	158	40	15	8.5
ETLP25175S	25	175	214	40	15	8.5
ETLP28155S	28	155	193	45	15	10.5
ETLP19080S	19	80	120	25	15	11.5
ETLP22060S	22	60	95	28	15	11.5
ETLP25085S	25	85	125	32	15	11.5
ETLP28060S	28	60	95	34	15	11.5



PINS



JRS

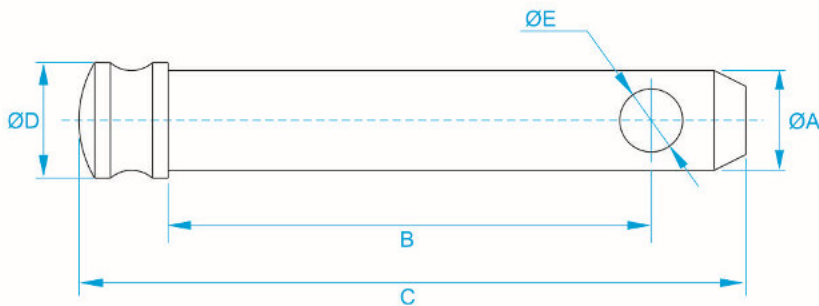


Let's Win... Together

TOP LINK PIN

PERNO PER 3° PUNTO CON BATTUTA

CODE	A	B	C	D	E
ETLP16076	15.9	76	113	19	7
ETLP16082	15.9	82	112	19	7
ETLP19052	19	52	90	22	12
ETLP19057	19	57	90	22	12
ETLP19076	19	76	112	22	12
ETLP19092	19	92	127	22	12
ETLP19095	19	95	133	28	12
ETLP19105	19	105	135	28	10
ETLP19125	19	125	155	28	10
ETLP19145	19	145	175	28	10
ETLP22076	22	76	114	25	12
ETLP22094	22	94	132	25.4	12
ETLP22105	22	105	136	34	12
ETLP22110	22	110	140	25	12
ETLP22125	22	125	158	30	11
ETLP22145	22	145	178	30	11
ETLP25076	25	76	115	28	12
ETLP25085	25	85	124	32	11
ETLP25095	25	95	132	28	12
ETLP25125	25	125	156	32	11
ETLP25086	25.4	86	123	28	12
ETLP25110	25.4	110	148	28	12
ETLP25116	25.4	116	154	28	12
ETLP25142	25.4	142	180	28	12
ETLP28103	28	103	145	32	12
ETLP28125	28	125	156	34	12
ETLP28145	28	145	178	34	12
ETLP28159	28.6	159	197	32	12
ETLP31118	31.7	118	160	38	12
ETLP32105	32	105	145	42	12
ETLP32125	32	125	164	38	12
ETLP32136	32	136	175	38	12



PINS



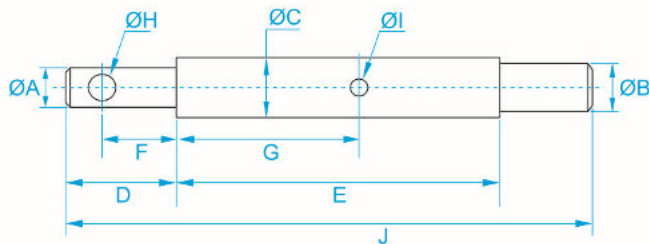
JRS

Let's Win... Together



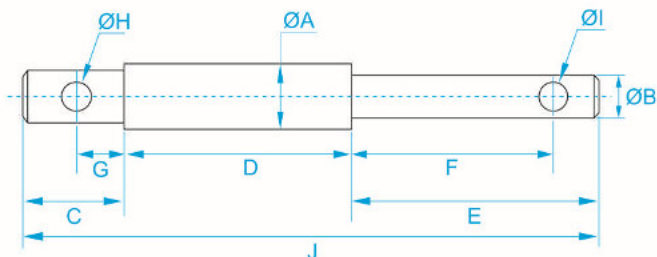
INTER CHANGEABLE IMPLEMENT MOUNTING PIN PERNO INTERCambiabile PER ATTACCO ATTREZZI

CODE	A	B	C	D	E	F	G	H	I	J
EDMP20200	22	22	28	55	115	40	67	12	6.5	200
EDMP25200	25	22	28	55	115	40	67	12	6.5	200



DOUBLE IMPLEMENT MOUNTING PIN PERNO DOPPIO INTERCambiabile PER ATTACCO ATTREZZI

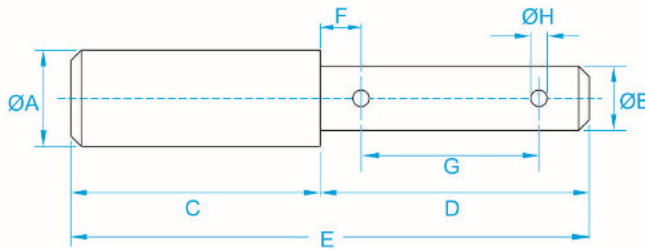
CODE	A	B	C	D	E	F	G	H	I	J
EDMP25210	25	19	40	70	100	80	20	12	12	210
EDMP25212	25	19	38	96	78	62	22	12	12	212
EDMP25170	25	19	26	66	78	70	18	6.5	6.5	170
EDMP28200	28	22	35	75	90	75	20	12	12	200
EDMP28210	28	22	40	70	100	80	20	12	12	210
EDMP28230	28	22	40	90	100	80	20	12	12	230
EDMP28229	28.6	22.2	40	89	100	80	20	12	12	229
EDMP32250	32	25	40	115	95	81	26	12	12	250
EDMP36277	36.5	28	36	150	91	81	26	12	12	277
EDMP36290	36.5	28	45	150	95	80	28	12	12	290





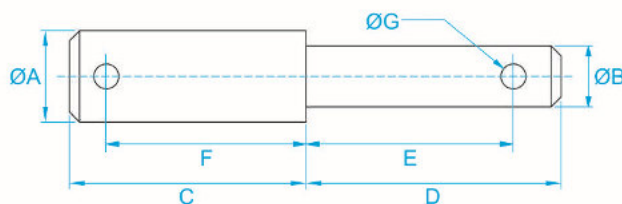
IMPLEMENT PIN PERNO UNIVERSALE

CODE	A	B	C	D	E	F	G	H
EDMP19156	19	16	74	82	156	16.5	55	5
EDMP22168	22	16	80	88	168	12	68	5
EDMP25166	25	19	85	81	166	18	53	5
EDMP25160	25	19	80	80	160	18	53	5
EDMP25180	25	19	90	90	180	18	57	5
EDMP28180	28	22	90	90	180	18	57	5
EDMP28175	28	22	90	85	175	16.5	50	6
EDMP28180	28	22	90	90	180	16.5	61	6
EDMP32178	32	25	83	95	178	18	62	6.5
EDMP32172	32	25	80	92	172	22	55	6.5



WELD ON END MOUNTING PIN PERNO DOPPIO DA SALDARRE PER ATTACCO ATTREZZI

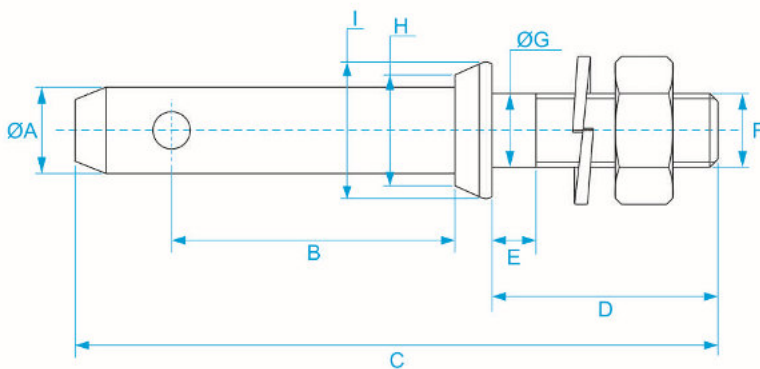
CODE	A	B	C	D	E	F	G
EWOMP0	28	22	62.5	84.5	70.5	47	12
EWOMP1	28	22	76.5	104.5	88	60	12
EWOMP2	28	22	85	105	85	62	12
EWOMP3	28	22	103	78	60	87.3	12
EWOMP4	28	22	120	56	39	92	12
EWOMP5	28.6	22	76	105	87.3	60	12
EWOMP6	34	28	61	80	62	43.5	12





LOWER LINK PIN PERNO PER ATTACCO ATTREZZI

CODE	A	B	C	D	E	F	G	H	I
ELLP2201M	22	50	130	40	5	20x1.5	20	32	38
ELLP2202M	22	50	140	40	14	22x1.5	22	30	38
ELLP2203M	22	50	140	40	14	22x1.5	28	30	38
ELLP2204U	22	51	149	54	11	7/8" UNF	22	30	36
ELLP2205U	22	51	140	48	6	3/4" UNF	19	30	36
ELLP2206U	22	51	140	43	11	5/8" UNF	22	30	36
ELLP2207U	22	51	146	38	22	7/8" UNF	28.6	30	36
ELLP2208U	22	51	146	50.8	9.5	7/8" UNC	28.6	32	38
ELLP2209U	22	51	146	50.8	9.5	1" UNF	25.4	30	36
ELLP2210U	22	51	138	38	14	7/8" UNF	28.6	30	36
ELLP2211M	22	51	128	38	10	20x1.5	20	30	36
ELLP2212M	22	51	128	38	10	20x1.5	20	30	36
ELLP2213M	22	60	150	40	20	22x1.5	22	32	38
ELLP2214M	22	60	150	40	20	22x1.5	28	32	38
ELLP2215M	22	60	146	40	20	22x1.5	25	32	32
ELLP2216U	22	51	140	45	10	7/8" UNF	22	30	34
ELLP2217U	22	64	165	56	16	7/8" UNF	22.2	32	38
ELLP2518M	25	60	150	40	20	22x1.5	25	34	40
ELLP2519M	25	60	150	40	20	22x1.5	28	32	38
ELLP2820M	28	50	155	30	50	30x2.0	30	48	50
ELLP2821M	28	55	150	45	14	22x1.5	24	36	42
ELLP2822M	28	55	150	45	15	24x1.5	24	37	43
ELLP2823M	28	55	150	45	14	27x1.5	28	38	43



PINS



JRS

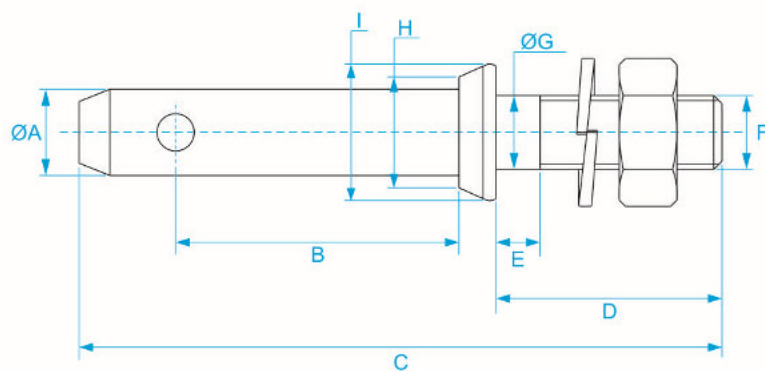
Let's Win... Together



LOWER LINK PIN

PERNO PER ATTACCO ATTREZZI

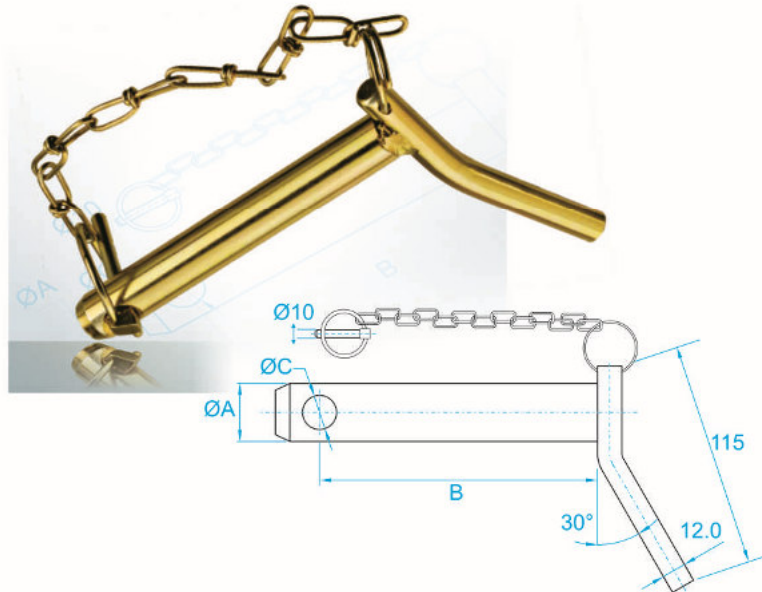
CODE	A	B	C	D	E	F	G	H	I
ELLP2824M	28	58	147	48	10	27x1.5	27	37	43
ELLP2825M	28	58	147	48	10	27x1.5	27	48	50
ELLP2826M	28	60	150	45	14	22x1.5	22	38	44
ELLP2827M	28	60	150	40	20	22x1.5	28	38	44
ELLP2828M	28	60	150	40	20	22x1.5	22	38	44
ELLP2829M	28	60	150	40	20	22x1.5	24	38	44
ELLP2830M	28	62	147	38	20	22x1.5	28	48	50
ELLP2831M	28	64	160	38	25	27x1.5	28	38	44
ELLP2832M	28	65	160	30	40	30x2	30	48	50
ELLP2833M	28	71	160	40	30	30x2	30	48	50
ELLP2834U	28.6	51	133.5	42	11	7/8" UNF	22	37	43
ELLP2835U	28	51	159	60	16	9/8" UNF	28.6	38	44
ELLP2836U	28.6	51	149	36.5	24	3/4" UNF	25.4	38	44
ELLP2837U	28.6	57	159	60	16	9/8" UNF	28.6	37	43
ELLP2838U	28.6	60	149	51	9.5	9/8" UNF	28.6	37	43
ELLP2839U	28.6	60	149	50.8	9.5	1" UNF	25.4	38	44
ELLP2840U	28.6	60	149	54	6.3	3/4" UNF	19	38	44
ELLP2841U	28.6	60	149	38	22	7/8" UNF	28.6	38	44
ELLP2842U	28.6	60	136.5	35	12.7	7/8" UNF	22	38	44
ELLP2843U	28.6	60	145	44	12.7	7/8" UNF	22	38	44
ELLP2844U	28.6	63.15	160	54	14	7/8" UNF	22.2	38	44
ELLP3645U	36	54	149	48	16	9/8" UNF	28.6	46	52
ELLP3646U	36.5	58	149	45	14	1.3/8" UNF	35	45	52
ELLP3647M	36.5	61	165	60	11	27x1.5	27	48	50





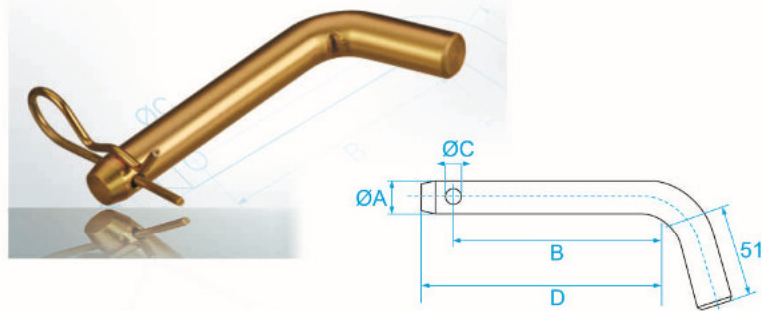
BENT HANDLE HITCH PIN PERNO CON MANIGLIA

CODE	A	B	C
EBHHP19123	19	123	12
EBHHP19135	19	135	12
EBHHP19175	19	175	12
EBHHP22123	22	123	12
EBHHP22135	22	135	12
EBHHP22175	22	175	12
EBHHP25123	25	123	12
EBHHP25135	25	135	12
EBHHP25175	25	175	12
EBHHP28135	28	135	12
EBHHP28175	28	175	12
EBHHP28123	28	123	12
EBHHP32175	32	175	12



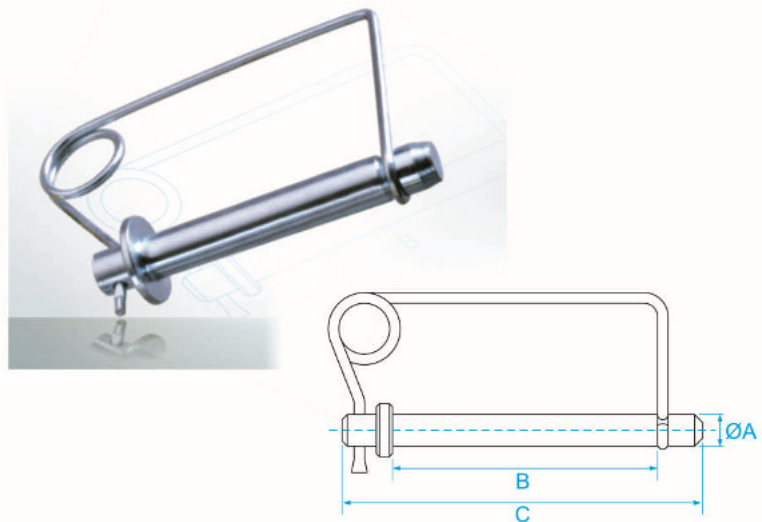
BENT TYPE HITCH PIN PERNO PIEGATO DEL TIPO

CODE	A	B	C	D
EBHP12076	12.7	76	4	85
EBHP16076	15.9	76	5	88
EBHP16089	15.9	89	5	102
EBHP19089	19	89	5	102
EBHP19099	19	99	5	111



WIRE LOCK HITCH PIN PERNO CON LA SERRATURA DEL LEGARE

CODE	A	B	C
EWLHP12102	12	102	140
EWLHP16102	16	102	140
EWLHP19102	19	102	140
EWLHP19152	19	152	190
EWLHP22152	22	152	190
EWLHP25152	25	152	190



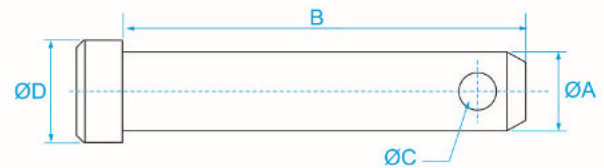
PINS




Let's Win... Together

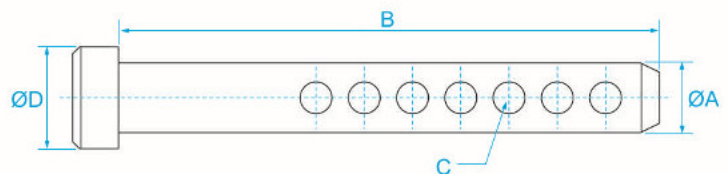
STANDARD CLEVIS PINS PERNO STANDARD

CODE	A	B	C	D
ESCP4516	4.5	16	2.5	9
ESCP6020	6	20	2.5	10
ESCP6025	6	25	2.5	10
ESCP8019	8	19	3	12
ESCP8024	8	24	3	12
ESCP8028	8	28	3	12
ESCP8032	8	32	3	12
ESCP8038	8	38	3	12
ESCP8045	8	45	3	12
ESCP1025	10	25	4	12
ESCP1032	10	32	4	14
ESCP1045	10	45	4	14
ESCP1132	11	32	4	15
ESCP1145	11	45	4	15
ESCP1238	12	38	4	16
ESCP1250	12	50	4	16



UNIVERSAL CLEVIS PINS PERNO DELLA FOR CELLA UNIVERSALE

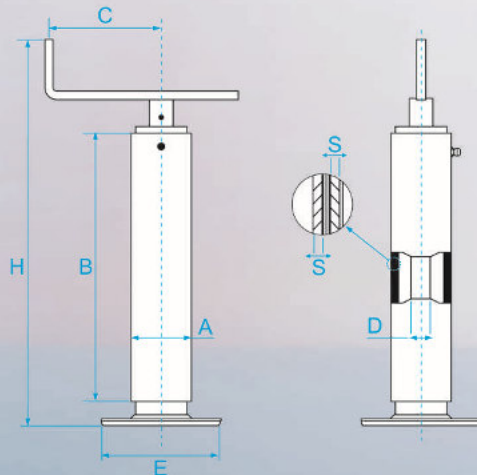
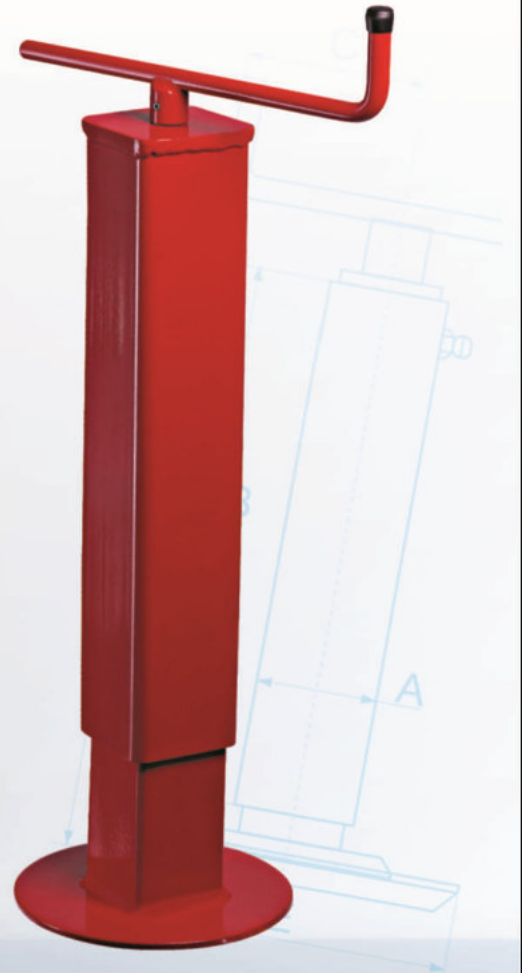
CODE	A	B	C	D	No. of Holes
EUCP6050	6	50	2.5	9	5
EUCP8050	8	50	3	12	5
EUCP1050	10	50	4	14	5
EUCP1150	11	50	4	15	5
EUCP1163	11	63	4	15	5
EUCP1176	11	76	4	15	7
EUCP1250	12	50	4	16	5
EUCP1263	12	63	4	16	7
EUCP1276	12	76	4	16	7
EUCP1676	16	76	5	20	7
EUCP1976	19	76	6	24	7





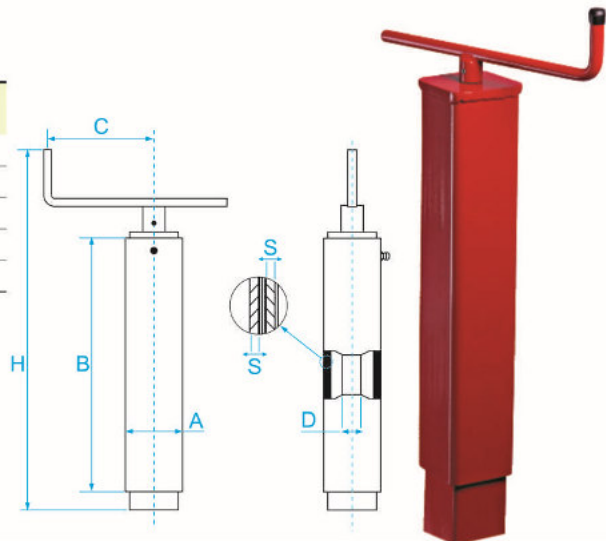
PARKING JACK "HEAVY TYPE"

CODE	Dim. A	Dim. B	Dim. C	E	H	S	D	Stroke	Static Cap.
E10101	40	300	115	95	440	2	18	150	400
E10102	40	400	115	95	540	2	18	250	400
E10103	40	500	115	95	640	2	18	350	400
E10105	50	300	135	160	480	3	22	150	800
E10106	50	400	135	160	580	3	22	250	800
E10107	50	500	135	160	680	3	22	350	800
E10108	50	600	135	160	780	3	22	500	800
E10109*	50	400	135	160	580	3	22	250	800
E10113	60	400	135	160	580	3	22	250	1000
E10114	60	500	135	160	680	3	22	350	1000
E10115	60	600	135	160	780	3	22	500	1000
E10116	60	700	135	160	880	3	22	500	1000
E10117*	60	500	135	160	680	3	22	350	1000
E10130*	70	400	180	160	580	3	28	300	1800
E10131*	70	500	180	160	680	3	28	400	1800
E10132*	70	600	180	160	780	3	28	500	1800
E10133*	70	700	180	160	880	3	28	500	1800
E10135*	80	400	180	220	590	3	28	300	2000
E10136*	80	500	180	220	690	3	28	400	2000
E10137*	80	600	180	220	790	3	28	500	2000
E10139*	100	500	180	220	690	4	28	400	2200
E10140*	100	700	180	220	890	4	28	500	2200



PARKING JACK "HEAVY TYPE" without footplate

CODE	Dim. A	Dim. B	Dim. C	H	S	D	Stroke	Static Cap.
E10102SP	40	400	115	535	2	18	250	400
E10106SP	50	400	135	565	4	22	250	800
E10113SP	60	400	135	1256	4	22	250	1000
E10131SP	70	500	180	665	4	28	400	1800
E10136SP	80	500	180	665	4	28	400	2000





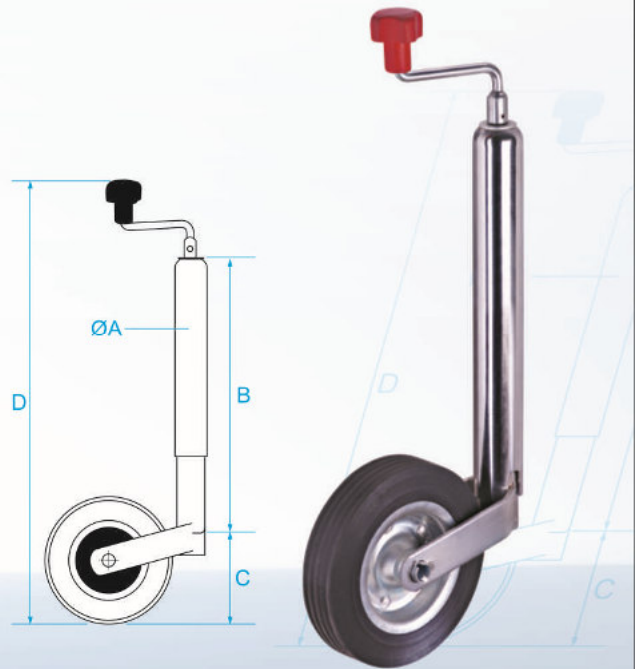
Parking Jacks



Let's Win.... Together

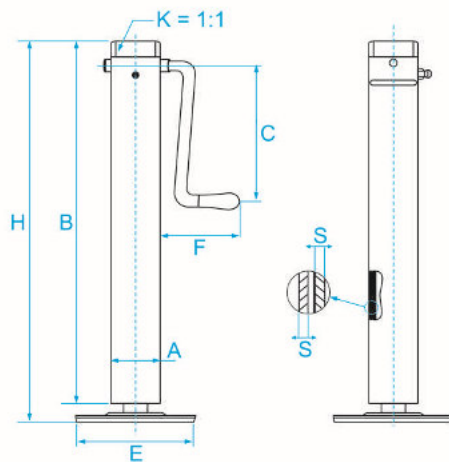
JOCKEY WHEEL PARKING JACK

CODE	A Pipe Diameter	Wheel Size	Pipe Length	B	C	D
EJW001	35	160x43	220	310	100	465
EJW002	42	200x50	195	390	120	590
EJW003	48	200x50	195	390	120	590
EJW004	48	250x85	175	420	150	625
EJW005	60	255x80	400	430	150	720
EJW006	60	220x70	500	560	350	1060



PARKING JACK WITH LATERAL HANDLE

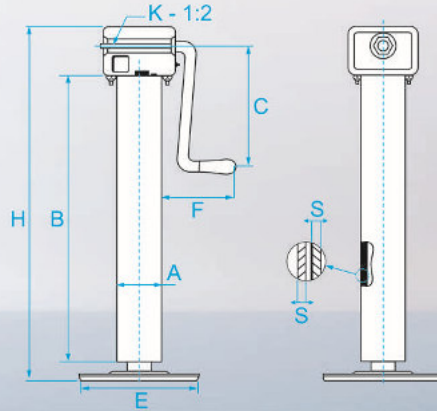
CODE	Dim. A	Dim. B	Dim. C	E	F	H	S	Stroke	Static Cap.
E10399*	60	550	170	160	150	565	3	350	1000
E10400	60	550	170	160	150	580	3	350	1000



PARKING JACK

"HEAVY TYPE" with Reduction Gear and Lateral Handle

CODE	Dim. A	Dim. B	Dim. C	E	F	H	S	Stroke	Static Cap.
E10402	70	500	220	220	185	620	3	400	3000
E10404	70	600	220	220	185	720	3	500	3000
E10406	70	700	220	220	185	820	3	500	3000
E10407	70	800	220	220	185	920	3	500	3000
E10403	80	500	220	220	180	620	3	400	3000
E10405	80	600	220	220	180	720	3	500	3000
E10408	80	800	220	220	180	920	3	500	3000

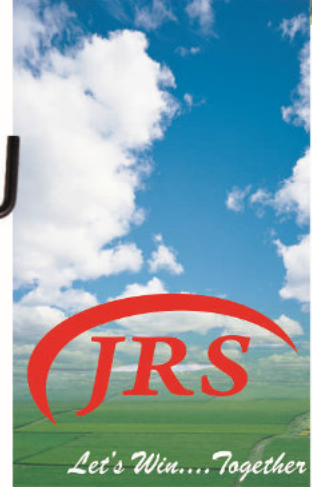
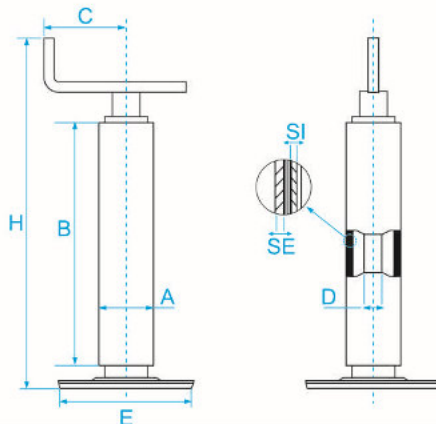


PARKING JACK "LIGHT TYPE"

CODE	Dim. A	Dim. B	Dim. C	E	H	SE	SI	D	Stroke	Static Cap.
E10102E	40	360	115	95	500	2	2	18	250	400
E10116E	60	660	115	160	840	3	2	18	450	700
E10122E	50	460	115	160	610	3	2	18	250	600
E10123E	50	560	115	160	710	3	2	18	350	600
E10126E	60	460	115	160	610	3	2	18	350	700
E10127E	60	560	115	160	710	3	2	18	450	700
E10131E*	70	460	180	160	640	3	3	22	350	1200
E10132E*	70	660	180	160	840	3	3	22	500	1200
E10133E*	70	660	180	160	840	3	3	22	500	1200

PARKING JACK "NORMAL TYPE"

CODE	Dim. A	Dim. B	Dim. C	E	H	SE	SI	D	Stroke	Static Cap.
E10120	50	260	115	160	410	3	2	18	150	600
E10121	50	360	115	160	510	3	2	18	250	600
E10122	50	460	115	160	610	3	2	18	250	600
E10123	50	560	115	160	710	3	2	18	350	600
E10125	50	360	115	160	510	3	2	18	250	700
E10126	50	460	115	160	610	3	2	18	250	700
E10127	50	560	115	160	710	3	2	18	450	700



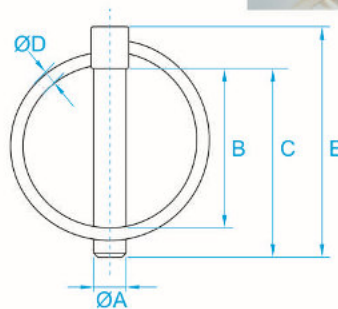


Parking Jacks



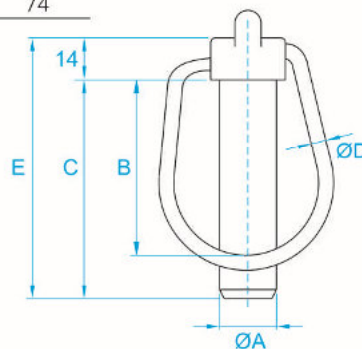
LINCH PINS SPINE A SCATTO

CODE	A	B	C	E	D
ELP45035	4.5	28.6	35	44	3
ELP45041	4.5	33	41	51	3
ELP47035	4.76	28.6	35	44	3
ELP60045	6	36.5	45	54	3.2
ELP60045HD	6	36.5	45	54	3.7Black
ELP63045	6.35	36.5	45	54	3.2
ELP70045	7	36.5	45	55	3.3
ELP80045	8	36.5	45	54	3.3
ELP80045HD	8	36.5	45	54	3.7Black
ELP90045	9	36.5	45	56	3.3
ELP95051	9.5	39	51	62	3.3
ELP10045	10	36.5	45	56	3.5
ELP11045	11	36.5	45	56	3.5
ELP11051HD	11	39	51	66	4.5Black
ELP11051	11	39	51	62	3.5



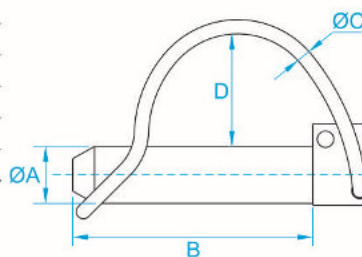
FORGED LINCH PINS SPINE A SCATTO (FORGIATO)

CODE	A	B	C	D	E
EFLP11	11	48	52	4	66
EFLP15	15	56	60	4	74



LINCH PIN FOR TUBE (Square Head) SPINE A SCATTO PER TUBO

CODE	A	B	C	D
EPLP0640	6	40	3	18
EPLP0645	6	45	3	22
EPLP0840	8	40	3	18
EPLP0845	8	45	3	22
EPLP0850	8	50	3	25
EPLP1050	10	50	4	25
EPLP1058	10	58	4	25
EPLP1258	12	58	4	25



lingh
pins



JRS

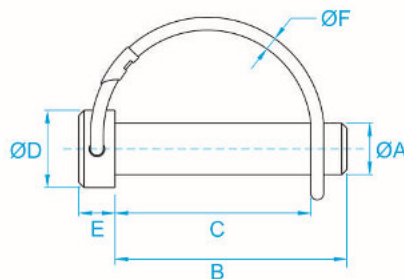
Let's Win... Together



PTO PINS

SPINOTTIPER MOTOZAPPA

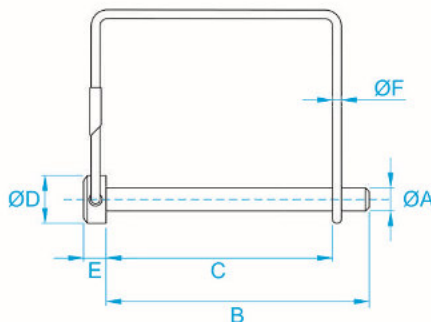
CODE	A	B	C	D	E	F
EPTO0638R	6	45	38	12	6	2.5
EPTO0658R	6	65	58	12	6	2.5
EPTO0838R	8	45	38	15	7	2.5
EPTO0858R	8	65	58	15	7	2.5
EPTO1038R	10	45	38	18	8	2.5
EPTO1058R	10	65	58	18	8	2.5



PTO PINS

SPINOTTIPER MOTOZAPPA

CODE	A	B	C	D	E	F
EPTO0645S	6	53	45	12	6	2.5
EPTO0657S	6	65	57	12	6	2.5
EPTO0857S	8	65	57	15	7	2.5
EPTO0863S	8	70	63	15	7	2.5
EPTO1057S	10	65	57	18	8	2.5
EPTO1063S	10	70	63	18	8	2.5
EPTO1070S	10	80	70	18	10	2.5



r-pins



JRS

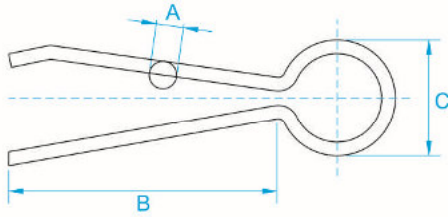


Let's Win... Together

CLIPS

COPPIGLIEAFORCELLA

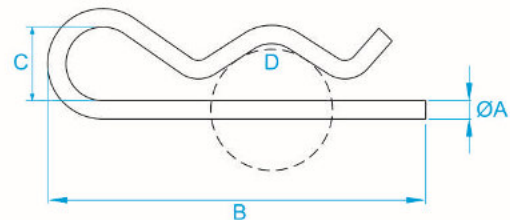
CODE	A	B	C
EDSC315	3 x 1.5	38	17
EDSC525	5 x 2.5	56	27



HAIR PIN / GRIP CLIP, SINGLE SPIRE

COPPIGLIE A MOLLACADMIATE

CODE	A	B	C	D
ERPS20044	2	44	13	10-12
ERPS20051	2	51	13	10-12
ERPS20057	2	57	17	10-12
ERPS25046	2.5	46	13	11-13
ERPS25062	2.5	62	13	11-13
ERPS30052	3	52	18	12-16
ERPS30061	3	61	18	12-16
ERPS35067	3.5	67	18	15-21
ERPS35080	3.5	80	18	15-21
ERPS40076	4	76	18	16-30
ERPS40083	4	83	18	16-30
ERPS40090	4	90	18	16-30
ERPS45083	4.5	83	20	16-30
ERPS45093	4.5	93	20	20-30
ERPS50100	5	100	24	20-35
ERPS50108	5	108	30	20-35
ERPS60114	6	114	24	28-45
ERPS60120	6	120	30	28-45
ERPS60115	6	115	42	28-45
ERPS70105	7	105	42	30-42
ERPS70163	7	163	45	30-45
ERPS80156	8	156	52	30-45
ERPS80162	8	162	45	45-60
ERPS10158	10	158	42	30-45



r-pins



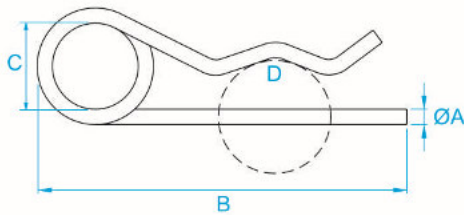
JRS



Let's Win... Together

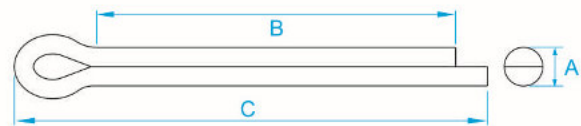
HAIR PIN / GRIP CLIP, DOUBLE SPIRE
COPPIGLIE A MOLLAADOOPPIGIRO

CODE	A	B	C	D
ERPD02065	2	65	13	10-12
ERPD03071	3	71	18	12-16
ERPD04077	4	77	22	16-30
ERPD04093	4	93	22	17-24
ERPD05116	5	116	26	17-28
ERPD06143	6	143	30	32-48
ERPD07162	7	162	30	30-45



SPLIT PINS
SPLIT PINS

CODE	A	B	C
ECP1620	1.6	20	28
ECP1625	1.6	25	33
ECP2020	2	20	28
ECP2025	2	25	33
ECP2028	2	28	35
ECP2032	2	32	40
ECP2040	2	40	50
ECP2520	2.5	20	28
ECP2540	2.5	40	50
ECP3225	3.2	25	35
ECP3240	3.2	40	50
ECP4025	4	25	35
ECP4032	4	32	45
ECP4036	4	36	48
ECP5050	5	50	63
ECP5070	5	70	85
ECP6350	6.3	50	64
ECP6370	6.3	70	85
ECP6380	6.3	80	98
ECP8063	8	63	87
ECP8080	8	80	104
ECP80100	8	100	124
ECP80125	8	125	150
ECP1063	10	63	91
ECP10125	10	125	153
ECP13125	15	125	160
ECP13140	13	140	175

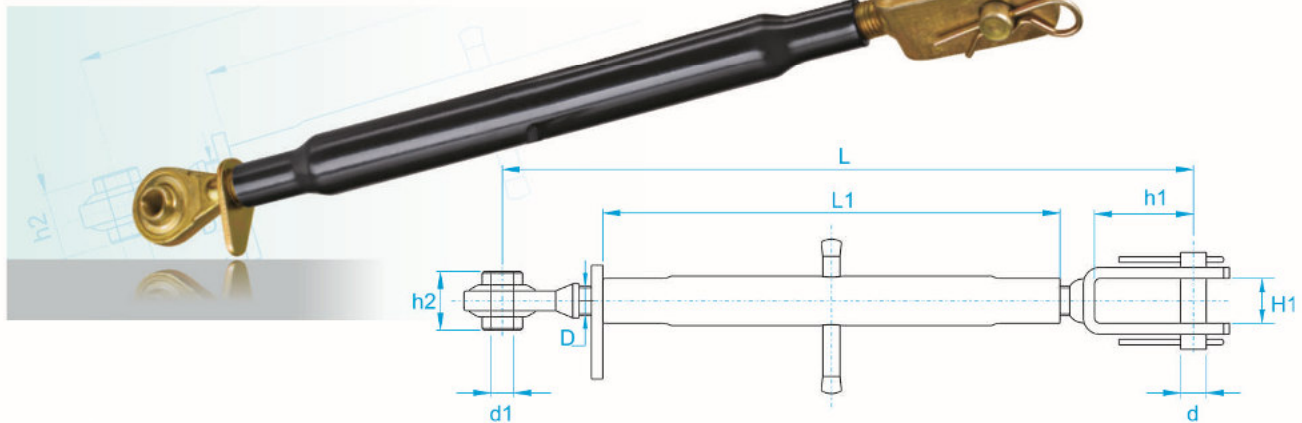




ADJUSTABLE LEVELLING ARM

BRACCI DI SOLLEVAMENTO LATERALE REGISTRABILE

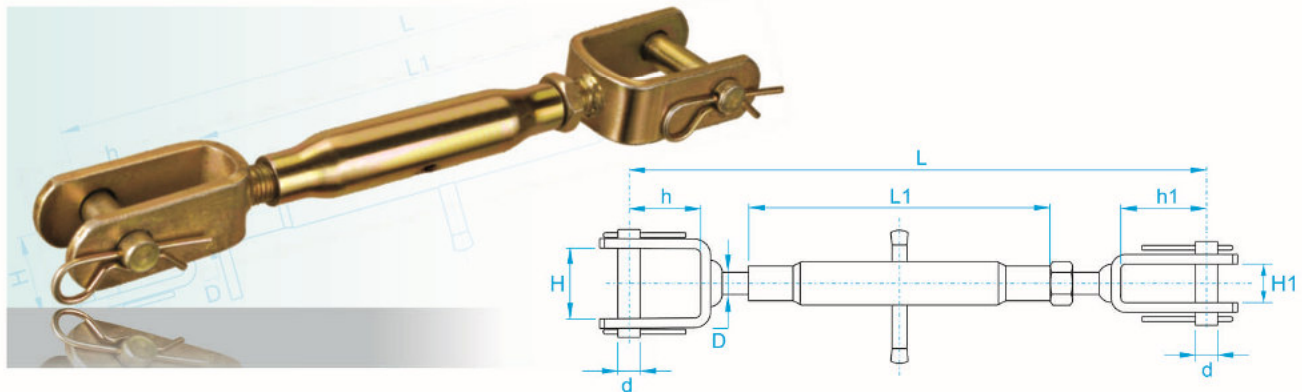
CODE	L		L1	D	d	H1	h1	d1	h2
	MIN	MAX							
EALA19230	380	530	230	24 x 3	18	24	72	19,2	44
EALA22230	380	530	230	24 x 3	18	24	72	22,1	35
EALA19260	410	560	260	24 x 3	18	24	72	19,2	44
EALA22260	410	560	260	24 x 3	18	24	72	22,1	35
EALA22340	490	700	340	24 x 3	16	24	72	22,1	35
EALA22380	520	730	380	24 x 3	16	24	72	22,1	35



ADJUSTABLE LEVELLING ARM

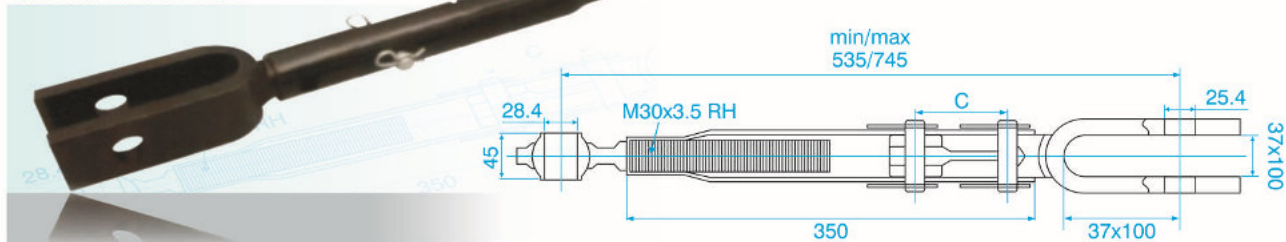
BRACCIO DI SOLLEVAMENTO

CODE	L		L1	D	d	H	h	H1	h1
	MIN	MAX							
EALA18200	380	530	200	22 x 2.5	18	30	60	24	72
EALA18260	450	600	260	24 x 3	18	40	70	24	72
EALA18290	500	650	290	27 x 3	18	40	70	24	72



LEVELLING ASSEMBLY

WIESZAK LEWY

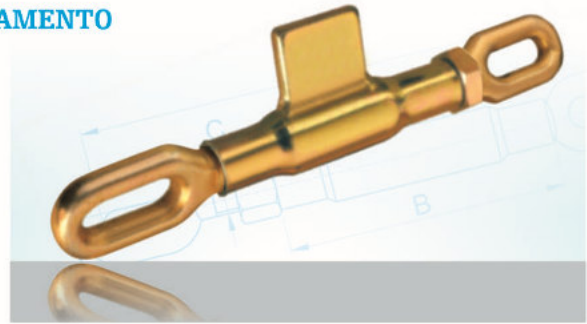
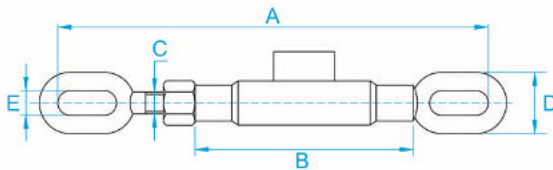




STABILIZER ASSEMBLY

MANICOTTI CON TENDITORI PER CATENE IMBRIGLIAMENTO

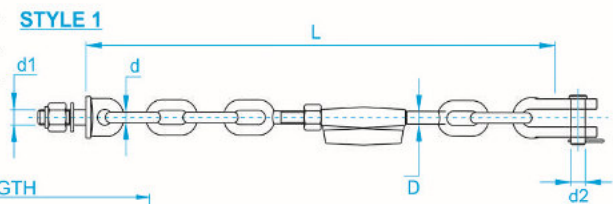
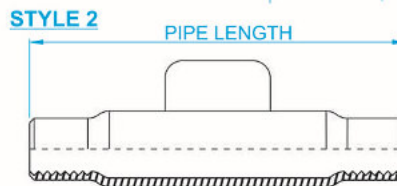
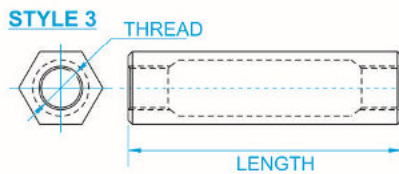
CODE	A		B	C	D	E
	MIN	MAX				
ESA275	275	325	130	20x2.5	38	14
ESA280	280	345	150	22x2.5	38	14
ESA300	300	365	150	24x2.5	55	25



STABILIZER CHAIN ASSEMBLY

CATENE IMBRIGLIAMENTO E STABILIZZATOR

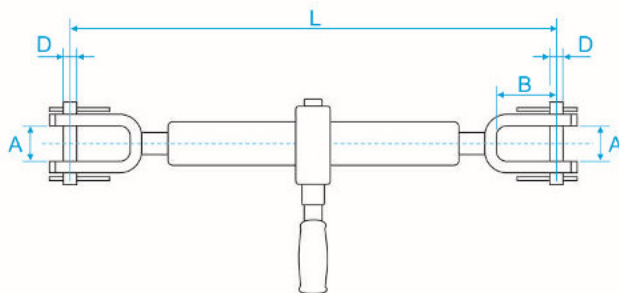
CODE	Style	L MIN	D	d1	d	d2
ECA1420	1	420	16x2	18	12	12
ECA1500	1	500	16x2	18	12	12
ECA1580	1	580	16x2	18	12	12
ECA2480	2	480	16x2	18	10	14
ECA2570	2	570	20x2.5	20	12	14
ECA2635	2	635	16x2	20	12	14
ECA2670	2	670	20x2.5	20	12	14
ECA2580	2	580	20x2.5	20	12	14
ECA2460	2	460	20x2.5	20	12	14
ECA3570	3	570	20x2.5	20	12	14
ECA3600	3	600	20x2.5	20	12	14



RATCHET JACK

RATCHET JACK

CODE	MIN	L		A	B	D
		MIN	MAX			
ERJ25	510		710	38	55	25.4

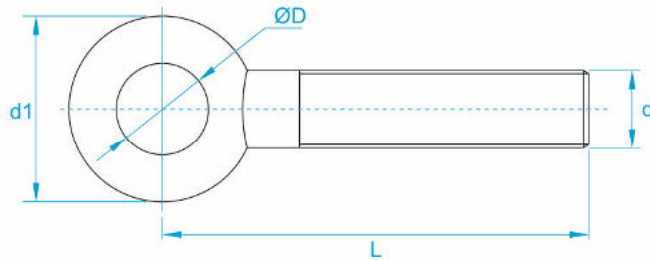




STABILIZER ENDS

TESTA TONDA

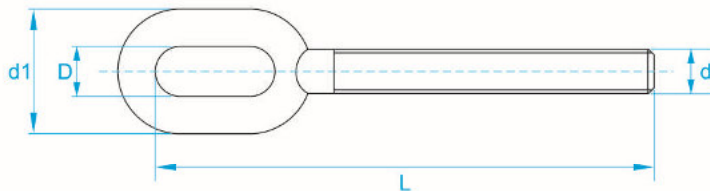
CODE	L	d	d1	D
ESE01	97	16 x 2	46	18
ESE02	115	20 x 2.5	46	18
ESE03	115	22 x 2.5	50	20



STABILIZER ENDS

TESTA AD ASOLA

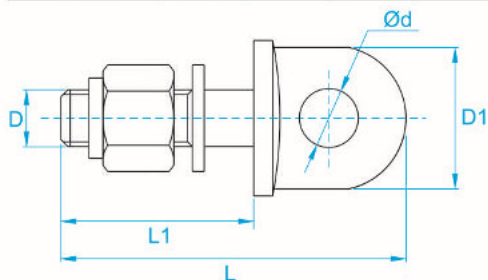
CODE	L	d	d1	D
ESE04	122	18 x 2.5	39	14.5
ESE05	127	20 x 2.5	39	14.5
ESE06	134	22 x 2.5	55	2.5



EYE END

PERNO AD OCCHIO CON DADO PER STABILIZZATORI

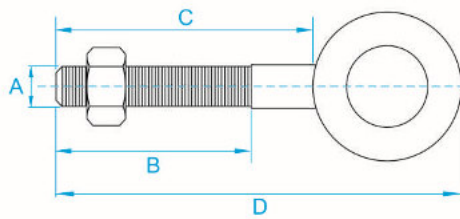
CODE	D	L	Ød	D1	L1
EEE16	16 x 1.5	80	15	36	43
EEE18	18 x 2.5	80	15	36	43
EEE20	20 x 2.5	100	18	45	56
EEE24	24 x 2	125	24	53	65





EYE ENDS

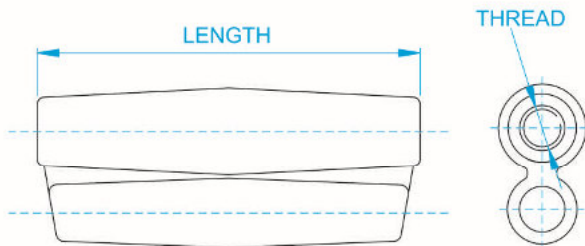
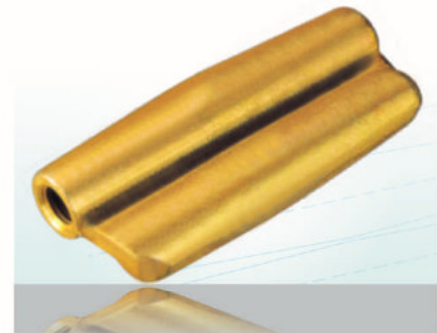
CODE	A	B	C	D	E
EEE101	1/4"	1-1/2"	2"	3"	1/2"
EEE102	5/16"	1-1/2"	2-1/4"	3-1/2"	5/8"
EEE103	3/8"	1-1/2"	2-1/2"	4"	3/4"
EEE104	1/2"	1-1/2"	3-1/4"	5-1/4"	1"
EEE105	6/8"	1-3/4"	4"	6-1/2"	1-1/4"
EEE106	1/4"	2-1/2"	4"	5"	1/2"
EEE107	5/16"	2-1/2"	4-1/4"	5-1/2"	5/8"
EEE108	3/8"	2-1/2"	6"	7-1/2"	3/4"
EEE109	1/2"	3"	6"	7-3/4"	1"



TURN BUCKLE

MANICOTTO IN GHISA PER CATENE TIPO FIAT

CODE	Thread	Pipe Length
ETB16	M16 x 2	172



CLEVIS YOKE
CLEVIS YOKE



DRAW BAR



DRAW BAR (63x30)

BARRE DI TRAINO

CODE	H	G	Holes	A	B	C	D	E	F
EDB08	63	30	7	1003	60	181	80	28.5	25.4
EDB09	63	30	7	683	49	113	54	22	20
EDB10	63	30	9	758	49	114	54	22	20
EDB11	63	30	9	781	60	114	54	28.5	20
EDB12	63	30	7	962	60	181	80	28.5	28
EDB13	63	30	9	796	57.5	125	55	21.6	22.2
EDB14	63	30	9	800	70	113.3	54	28	22
EDB15	63	30	11	766	60	60	54	28	20
EDB16	63	30	11	945	60	114	60	28	22
EDB17	63	30	9	800	58	118	22	22	22
EDB18	63	30	9	800	126	51	70	28	22
EDB19	63	30	11	765	52	60	54	22	22
EDB20	63	30	11	781	60	60	54	28	22
EDB21	63	30	9	770	55	110	55	22	20
EDB22	63	30	9	770	55	110	55	28	20
EDB23	63	30	3	440	55	110	55	22	20
EDB24	63	30	11	766	53	60	54	22	20
EDB25	63	30	11	780	60	60	54	28	20
EDB26	63	30	3	440	57	110	54	22	19
EDB27	63	30	9	800	70	114	54	28	22
EDB28	63	30	11	810	60	75	54	28.5	20
EDB29	63	30	9	620	50	71	47.5	22	26

DRAW BAR (63x25)

BARRE DI TRAINO

CODE	H	G	Holes	A	B	C	D	E	F
EDB00	63	25	7	505	51	66.5	45	22	20
EDB01	63	25	7	770	50	105	76.66	22	22
EDB02	63	25	7	610	51	84.5	57	22	19
EDB03	63	25	7	610	51	84.5	57	22	22
EDB04	63	25	11	775	57	75	51	22	19
EDB05	63	25	11	775	57	75	51	22	22
EDB06	63	25	9	775	57	114	54	22	19
EDB07	63	25	11	766	53	60	54	22	20

DRAW BAR (80x40)

BARRE DI TRAINO

CODE	H	G	Holes	A	B	C	D	E	F
EDB30	80	40	7	930	55	110	100	28	28
EDB31	80	40	3	770	56	16.5	16.6	28	26.5
EDB32	80	40	7	861	60.3	122	83	28	26.5
EDB33	80	40	7	1085	60	151	110	36	32
EDB34	80	40	7	940	60	121	83	28.4	26



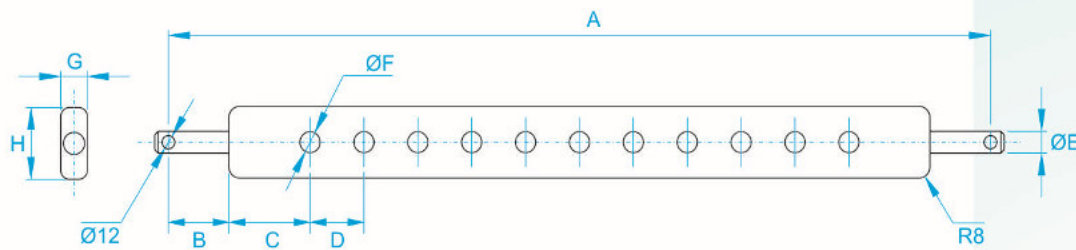
DRAW BAR



DRAW BAR (70x30)

BARRE DI TRAINO

CODE	H	G	Holes	A	B	C	D	E	F
EDB35	70	30	1	770	54.8	329	N.A.	27.8	26
EDB36	70	30	3	772	54.8	163	165.2	27.8	26
EDB37	70	30	3	674	55	139.5	140	28	22.7
EDB38	70	30	3	900	55	197.5	197.5	28.4	28.5
EDB39	70	30	3	960	55	212.5	212.5	28.4	28.5
EDB40	70	30	11	960	55	155	155	28	26



DRAW BAR (76x32)

BARRE DI TRAINO

CODE	H	G	Holes	A	B	C	D	E	F
EDB41	76	32	11	780	60	75	51	28	19
EDB42	76	32	11	780	60	75	51	28	22
EDB43	76	32	13	940	60	76	55.5	28	19
EDB44	76	32	13	940	60	76	55.5	28	22
EDB45	76	32	7	880	50	100	96	28	28
EDB46	76	32	9	920	50	90	80	28	33
EDB47	76	32	7	930	55	85	108.5	28	26
EDB48	76	32	9	945	60	92.5	80	28	33
EDB49	76	32	11	933	55	157.5	50.8	28	22
EDB50	76	32	7	960	59	103.5	71.5	28	26.5
EDB51	76	32	7	861	60.5	123.5	82.2	28.4	27
EDB52	76	32	13	933	60	76.4	55	28.6	19
EDB53	76	32	7	890	55	124	88.6	28	28
EDB54	76	32	3	772	55.5	165	166	22.6	26.6
EDB55	76	32	7	940	60	148	86	28.4	28.5
EDB56	76	32	7	910	50	85	110	28	26
EDB57	76	32	9	930	60	86	80	28	28
EDB58	76	32	9	945	60	92.5	80	28	33
EDB59	76	32	11	960	62	143	55	28	28
EDB60	76	32	7	981	60	151	86	28.4	28.5

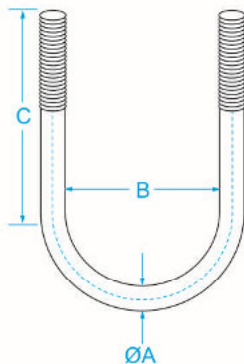
NOTE : COLOUR TO ORDER





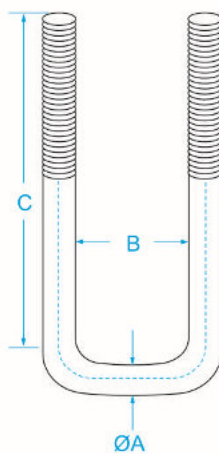
U-BOLTS

CODE	Dia. ØA	Dim. B	Dim. C
EUB - 01	7/16"	2"	6"
EUB - 02	7/16"	2-7/8"	7-3/4"
EUB - 03	7/16"	3"	7-1/2"
EUB - 04	1/2"	2-1/2"	8-1/4"
EUB - 05	1/2"	2-7/8"	7"
EUB - 06	1/2"	3"	8"
EUB - 07	9/16"	3"	8-1/4"
EUB - 08	9/16"	3-1/4"	8"
EUB - 09	9/16"	3-3/8"	12"
EUB - 10	5/8"	3"	8-1/2"
EUB - 11	5/8"	3-1/4"	8-1/4"
EUB - 12	5/8"	3-1/4"	12"



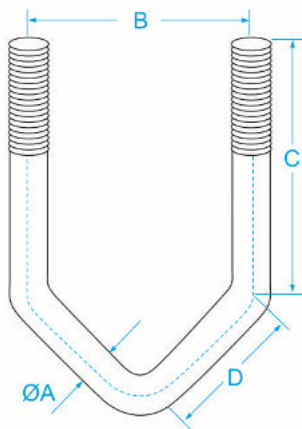
U-BOLTS

CODE	Dia. ØA	Dim. B	Dim. C
EUB - 21	3/8"	2-1/2"	2-1/2"
EUB - 22	3/8"	7"	7"
EUB - 23	1/2"	3"	4"
EUB - 24	5/8"	4"	4"
EUB - 25	5/8"	4"	5-1/2"
EUB - 26	5/8"	4"	7-1/2"
EUB - 27	5/8"	5"	8-1/2"
EUB - 28	5/8"	6"	8"
EUB - 29	5/8"	7"	5"
EUB - 30	5/8"	7"	7"
EUB - 31	5/8"	7"	8-1/2"
EUB - 32	3/4"	5"	7"
EUB - 33	3/4"	7"	8-1/2"
EUB - 34	3/4"	7"	7"



U-BOLTS

CODE	Dia. ØA mm	Dim. B mm	Dim. C mm	Dim. D mm
EUB - 51	11	70	37	42
EUB - 52	12.8	82	39	49
EUB - 53	11	90	30	56
EUB - 54	15	96	52	60.5



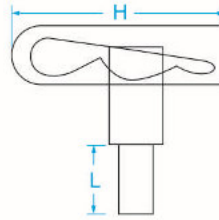
Zinc plated or as per Customer's choice.
 # Each U-Bolt comes with 2 Hex Nuts.
 # Can be made in other sizes also.





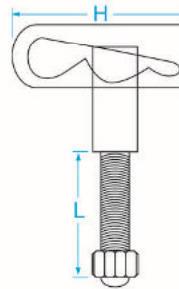
DROP LOCK PIN WELD ON TYPE

CODE	Dia. L mm	Dim. H mm
EDP - 01	13	70



DROP LOCK PIN WITH LONG SCREW

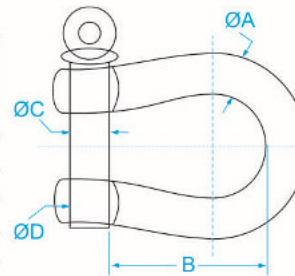
CODE	Dia. L mm	Dim. H mm	Thread
EDP - 02	35	70	1/2" UNF
EDP - 03	76	70	1/2" UNF
EDP - 04	38	50	M8 x 1.25
EDP - 05	20	50	M8 x 1.25



Bright Zinc Plated.
Complete with Nut & Washer.

CLEVISES (Screw Pin)

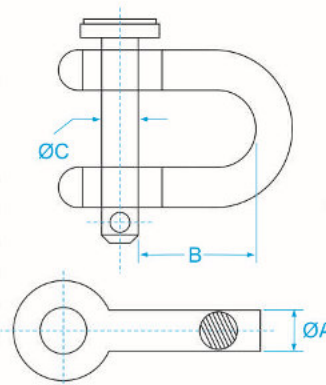
CODE	Body Dia. ØA mm	Usable Length B mm	Pin Dia. ØC mm	Thread Dia. ØD mm	Weight lbs.
ECS - 01	6.35	25.87	7.93	5/16" UNC	0.14
ECS - 02	7.93	31.75	9.52	3/8" UNC	0.22
ECS - 03	9.52	36.51	11.11	7/16" UNC	0.31
ECS - 04	11.11	42.85	12.7	1/2" UNC	0.53
ECS - 05	12.7	49.21	15.87	5/8" UNC	0.75
ECS - 06	15.87	63.5	19.05	3/4" UNC	1.1
ECS - 07	19.05	76.2	22.22	7/8" UNC	2.75
ECS - 08	22.22	82.55	25.4	1" UNC	3.58
ECS - 09	25.4	95	28.57	1-1/8" UNC	5.4
ECS - 10	28.57	107.95	31.75	1-1/4" UNC	7
ECS - 11	13.75	114.3	34.92	1-3/8" UNC	9.5



Painted black or any other colour as per Customer's choice.
Yellow Zinc Plated Pin.

CLEVISES (Utility)

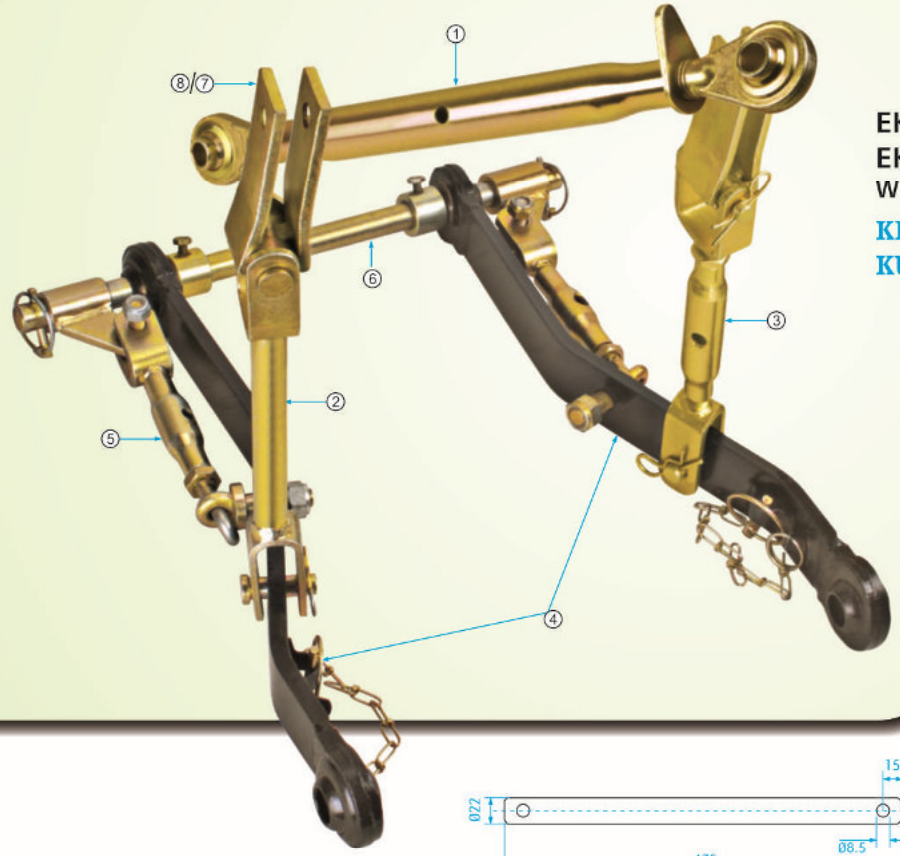
CODE	Body Dia. ØA mm	Usable Length B mm	Pin Dia. ØC mm	Weight lbs.
ECU - 01	6.35	22.22	7.93	0.1
ECU - 02	7.93	25.4	9.52	0.17
ECU - 03	9.52	31.75	11.11	0.28
ECU - 04	11.11	38.05	12.7	0.42
ECU - 05	12.7	42.86	15.87	0.66
ECU - 06	15.87	50.8	19.05	1.2



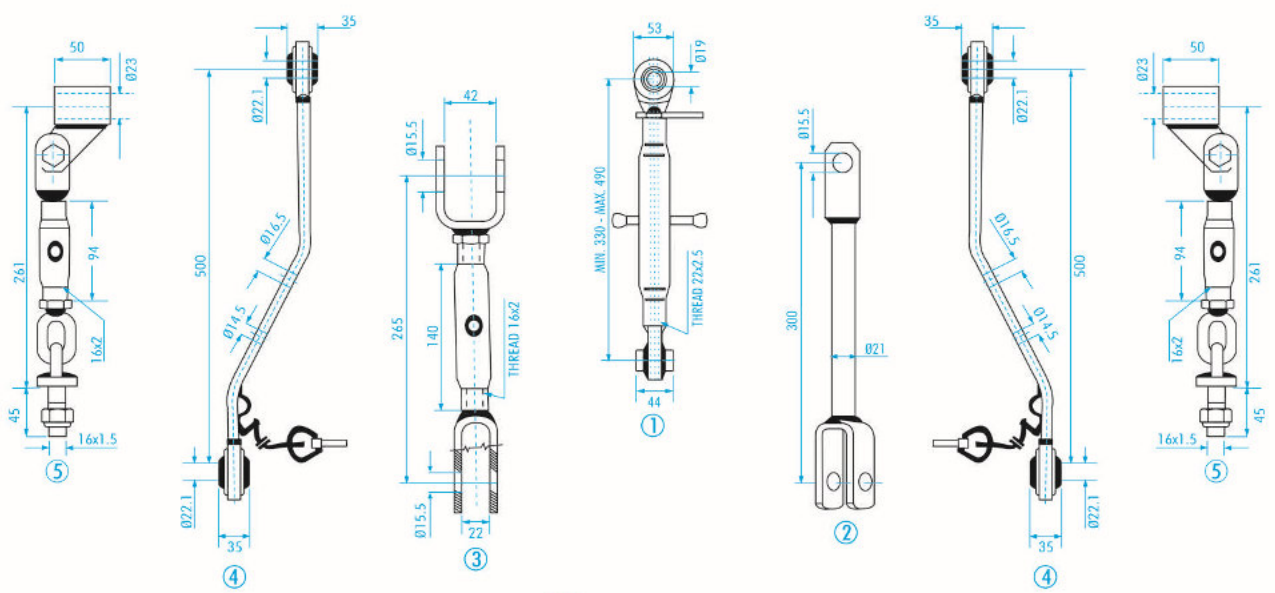
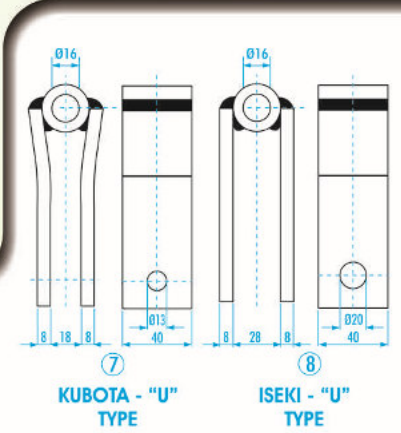
Yellow Zinc Plated Pin.



THREE-POINTS LINKAGE SYSTEM

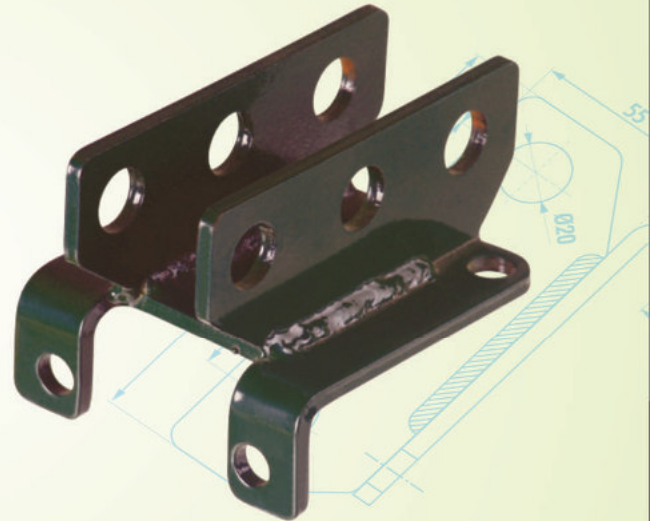
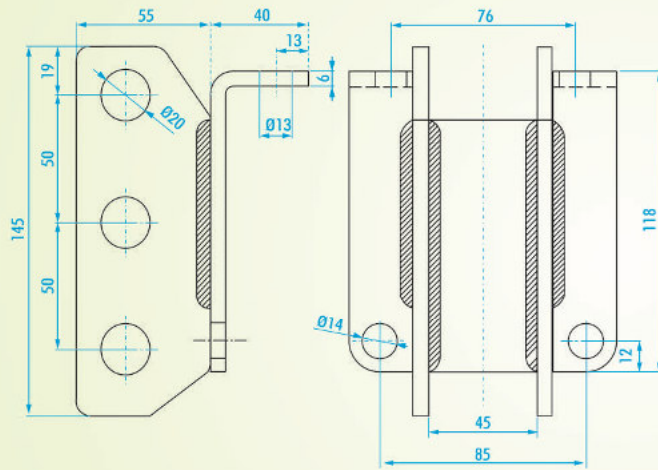


EKTL01 : KUBOTA TYPE KITS
EKTL02 : ISEKI TYPE KITS
 WITH TOP LINK ASSEMBLY /
KIT COMPLETO RICAMBIO TIPO
KUBOTA & ISEKI



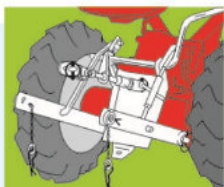
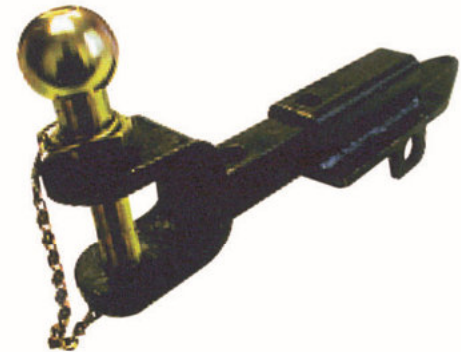
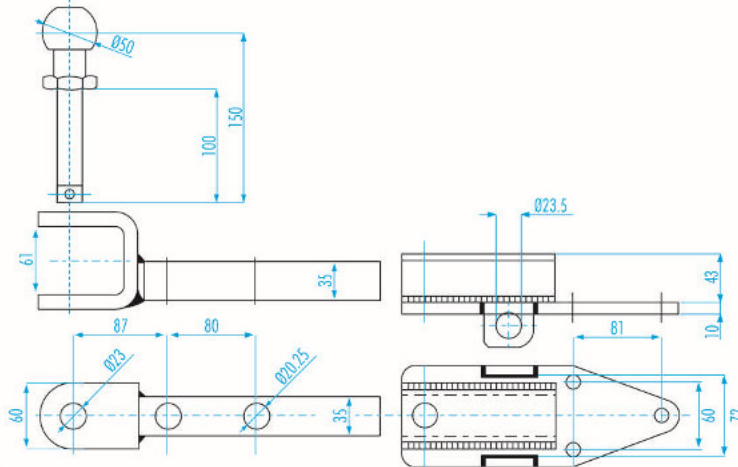
Let's Win... Together

**KUBOTA TYPE BASE BRACKET
ATTACCO3⁰ PUNTOTRATTORI KUBOTA**



Used in Series
4000, 5000, 7000, 7001, 1400, 1500, 1600

**DRAUGHT CONNECTOR FOR KUBOTA-ISEKI TRACTORS
ATTACCO TRAINO TRATTORI KUBOTA-ISEKI**



Three-Point Linkage System

Three-point pins enhance flexibility while improving productivity.

Example of a hitch pin used to couple a trailer hitch. Secured with a bridge pin.



Example of a lynch pin used to fasten a one-piece hasp. Loop snaps over to secure the lock.



Innovations in three-point pin designs have accelerated in recent years, as these devices are now available in more styles and materials than ever before. Most of the designs have been made to improve the compatibility and flexibility of Three-point hitches found on the back of agricultural equipment. Three-point hitches provide linkage between the power take off (PTO), hydraulics and hauling capabilities of tractors to compatible mowing, snow removal, and chemical spraying.

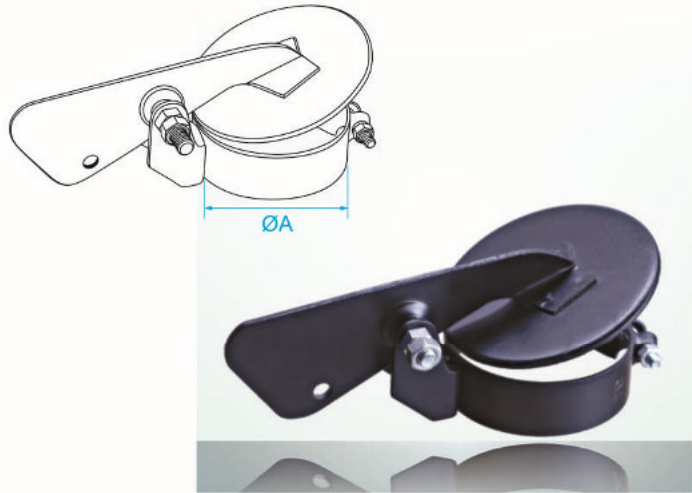
In the example to the left, notice how the three-point pins yield and accessible quick-disconnect of the implement from the tractor. Accessibility is provided by attaching parts to the hitch with tethers which prohibits separation. Tether benefits have been proven by farmers across the land who have dropped hitch pin clips into the snow.



WEATHER CAP

CODE	Dia. Minimum ØA mm	Dia. Maximum B mm	Weight lbs.
EWC - 01	38.10 (1-1/2")	42.80 (1-11/16")	0.59
EWC - 02	44.45 (1-3/4")	49.21 (1-15/16")	0.61
EWC - 03	50.80 (2")	55.56 (2-3/16")	0.88
EWC - 04	57.15 (2-1/4")	61.91 (2-7/16")	0.9
EWC - 05	63.50 (2-1/2")	68.26 (2-11/16")	0.93
EWC - 06	69.85 (2-3/4")	74.61 (2-15/16")	0.99
EWC - 07	76.20 (3")	80.96 (3-3/16")	1.1
EWC - 08	82.55 (3-1/2")	87.31 (3-7/16")	1.32
EWC - 09	88.90 (3-1/2")	93.66 (3-11/16")	1.36
EWC - 10	95.25 (3-3/4")	100.00 (3-15/16")	1.46
EWC - 11	101.60 (4")	106.36 (4-3/16")	1.54

Yellow Zinc Plated Pin.



GREASE NIPPLES INGRASSATORI

CODE	Size	Type
EGN01	M6 x 1	STRAIGHT
EGN02	M8 x 1	STRAIGHT
EGN03	M10 x 1	STRAIGHT
EGN04	M6 x 1	45°
EGN05	M8 x 1	45°
EGN06	M10 x 1	45°
EGN07	M6 x 1	90°
EGN08	M8 x 1	90°
EGN09	M10 x 1	90°



SILENCER CLAMP

CODE	Dim. A mm	Dim. A mm	Dia. ØC mm	Dim. D mm	Dim. E mm	Dim. F mm
ESLA01	76.2	44.45	12.7	3.17	135	108
ESLA02	82.2	54.3	19.05	6	150	107.95
ESLA03	74	37.5	12.7	5	163	43
ESLA04	119	41.5	12.7	5	222	76
ESLA05	140	47.5	16	5	266	142



LEVELLING ASSEMBLIES

WIESZAK

ELA01



LEVELLING ASSEMBLIES

WIESZAK

ELA02



LEVELLING ASSEMBLIES

WIESZAK

ELA03



LEVELLING ASSEMBLIES

WIESZAK

ELA04



LEVELLING ASSEMBLIES

WIESZAK

ELA05



LEVELLING ASSEMBLIES

WIESZAK

ELA06





Let's Win... Together



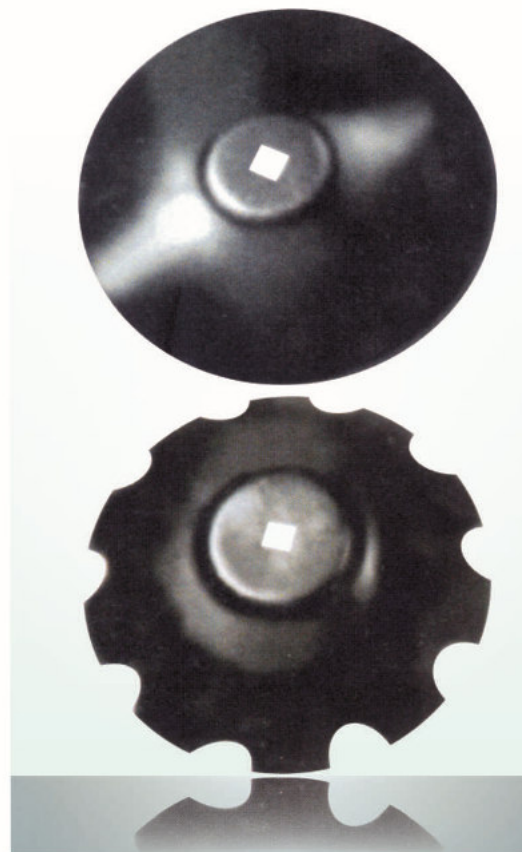
Combine & Harvester Parts

www.jrsfarmparts.com



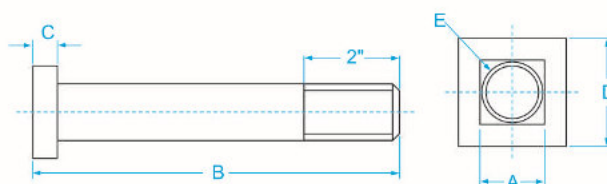
HARROW DISC / DISC BLADES
DISCHI FRANGIZOLLE

CODE	Dia. inch	mm	Type	Thick mm	Concavity
EHD1603S	16	410	SMOOTH	3	37
EHD1603N	16	410	NOTCHED	3	37
EHD1803S	18	460	SMOOTH	3	46
EHD1803N	18	460	NOTCHED	3	46
EHD1835S	18	460	SMOOTH	3.5	46
EHD1835N	18	460	NOTCHED	3.5	46
EHD2035S	20	510	SMOOTH	3.5	57
EHD2035N	20	510	NOTCHED	3.5	57
EHD2245S	22	560	SMOOTH	4.5	68
EHD2245N	22	560	NOTCHED	4.5	68
EHD2206S	22	560	SMOOTH	6	68
EHD2206N	22	560	NOTCHED	6	68
EHD2445S	24	610	SMOOTH	4.5	81
EHD2445N	24	610	NOTCHED	4.5	81
EHD2406S	24	610	SMOOTH	6	81
EHD2406N	24	610	NOTCHED	6	81
EHD2605S	26	660	SMOOTH	5	97
EHD2605N	26	660	NOTCHED	5	97
EHD2606S	26	660	SMOOTH	6	97
EHD2606N	26	660	NOTCHED	6	97
EHD2806S	28	712	SMOOTH	6	102
EHD2806N	28	712	NOTCHED	6	102
EHD2808S	28	712	SMOOTH	8	102
EHD2808N	28	712	NOTCHED	8	102



DISC HARROW AXLE

CODE	Dim. A	Dim. B	Dim. C	Dim. D	Thread E
EDHA01	7/8"	22"	1/2"	1-3/8"	7/8" UNC
EDHA02	7/8"	22-1/2"	1/2"	1-3/8"	7/8" UNC
EDHA03	7/8"	25-1/4"	1/2"	1-3/8"	7/8" UNC
EDHA04	7/8"	26"	1/2"	1-3/8"	7/8" UNC
EDHA05	7/8"	30-1/2"	1/2"	1-3/8"	7/8" UNC
EDHA06	7/8"	33"	1/2"	1-3/8"	7/8" UNC
EDHA07	7/8"	39-1/8"	1/2"	1-3/8"	7/8" UNC
EDHA08	7/8"	40-1/4"	1/2"	1-3/8"	7/8" UNC
EDHA09	7/8"	41-3/4"	1/2"	1-3/8"	7/8" UNC
EDHA10	1"	19"	1/2"	1-1/2"	1" UNC
EDHA11	1"	26-1/2"	1/2"	1-1/2"	1" UNC
EDHA12	1"	34"	1/2"	1-1/2"	1" UNC
EDHA13	1-1/8"	12"	1/2"	1-5/8"	1-1/8"UNC
EDHA14	1-1/8"	26-1/4"	1/2"	1-5/8"	1-1/8"UNC
EDHA15	1-1/8"	22"	1/2"	1-5/8"	1-1/8"UNC
EDHA16	1-1/8"	31"	1/2"	1-5/8"	1-1/8"UNC
EDHA17	1-1/8"	31-1/2"	1/2"	1-5/8"	1-1/8"UNC
EDHA18	1-1/8"	34"	1/2"	1-5/8"	1-1/8"UNC
EDHA19	1-1/8"	40"	1/2"	1-5/8"	1-1/8"UNC
EDHA20	1-1/8"	40-1/4"	1/2"	1-5/8"	1-1/8"UNC
EDHA21	1-1/8"	42"	1/2"	1-5/8"	1-1/8"UNC
EDHA22	1-1/8"	49-1/2"	1/2"	1-5/8"	1-1/8"UNC
EDHA23	1-1/8"	56-1/2"	1/2"	1-5/8"	1-1/8"UNC
EDHA24	1-1/8"	58-1/2"	1/2"	1-5/8"	1-1/8"UNC
EDHA25	1-1/8"	64"	1/2"	1-5/8"	1-1/8"UNC
EDHA26	1-1/8"	67-1/2"	1/2"	1-5/8"	1-1/8"UNC
EDHA27	1-1/8"	71-1/2"	1/2"	1-5/8"	1-1/8"UNC
EDHA28	1-1/8"	76-1/2"	1/2"	1-5/8"	1-1/8"UNC
EDHA29	1-1/8"	79"	1/2"	1-5/8"	1-1/8"UNC
EDHA30	1-1/8"	85-1/2"	1/2"	1-5/8"	1-1/8"UNC
EDHA31	1-1/8"	94-1/2"	1/2"	1-5/8"	1-1/8"UNC
EDHA32	1-1/8"	95-11/16"	1/2"	1-5/8"	1-1/8"UNC
EDHA33	1-1/8"	104-11/16"	1/2"	1-5/8"	1-1/8"UNC



Any size with Nut & Lock Washer. # Head shape can be round also.
Painted Black or as per Customer's choice.
Round or Sharp Edges as per Customer's choice.

FINGERS/GUARDS

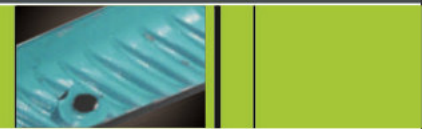
ITEM CODE	PRODUCTS	MODEL / OEM No.	NAME	NET Wt.	ITEM CODE	PRODUCTS	MODEL / OEM No.	NAME	NET Wt.
EIL - F0001		Claas 6762353	Finger Double without Blade	0.8	EIL - F0009		John Deere Z 11228	Finger Double without Blade	0.576
EIL - F0002		MF 640590 M91	Finger Double	0.824	EIL - F0010		Polish Combine 5060020040R	Finger Double	0.796
EIL - F0003		BCS 27624	Finger DBL with Knife	0.725	EIL - F0011		Polish Combine ----	Finger DBL with Knife	0.966
EIL - F0004		SCH 18889/410 100 001	Finger Double with Knife	0.59	EIL - F0012		Finger Double with Knife 5060020040S	Polish Combine	1.053
EIL - F0005		Claas 3820015	Finger Double with Blade	0.925	EIL - F0013		Finger Double with Blade w/o Support	BCS 59027626	0.84
EIL - F0006		---- 8040083	Finger Single	0.432	EIL - F0014		Finger Double without Blades 525111130 60236	Deutz Fahr	0.73
EIL - F0007		New Holland 379720	Finger Double	0.844	EIL - F0015		Finger Double without Blade 27622	BCE	0.563
EIL - F0008		John Deere H 61954	Finger Double without Blade	0.649	EIL - F0016		Finger Double Blade 18889/410 100 001	SCH	0.59








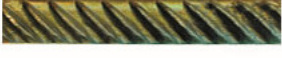





BLADES

ITEM CODE	PRODUCTS	NAME	MODEL & OEM No.	NET Wt.	DIMENSIONS	ITEM CODE	PRODUCTS	NAME	OEM No.	Material	DIMENSIONS NET Wt.	
EIL - B0001		Blade for Finger FR T & 2 Hole	Deutz Fahr 18891	0.097 Kg.	----	EIL - B0013		Blade for Finger Single	195206	EN 42 J	3.14 x 36.5 x 63.4 mm 0.037 Kg.	
EIL - B0002		Blade for Rotary Mower	Claas 978241.4 GRENE	0.073 Kg.	40Wx96Lx3Th mm	EIL - B0014		Blade for Finger	----	EN 42 J	2.5 x 76 x 80 mm 0.037 Kg.	
EIL - B0003		Blade for Rotary Mower	Claas Hole 21 104004.1	0.098 Kg.	47Wx106Lx3Th mm	EIL - B0015		Blade FR Teeth 5 Hole	60623	----	----	0.140 Kg.
EIL - B0004		Blade Small	Claas 580224 721	0.050 Kg.	----	EIL - B0016		Blade for Finger	500088 53010	EN 42 J Rear Press Teeth, Front Taper	76W x 88L x 2.88Th mm 0.100 Kg.	
EIL - B0005		Blade for Finger	Claas 611316	0.088 Kg.	76Wx84Lx2.8Th mm	EIL - B0017		Blade for Finger	400075 5100	EN 42 J Rear Press Front Grind	76W x 75L x 2.1Th mm 0.058 Kg.	
EIL - B0006		Blade for Finger RR Teeth	John Deere	0.048 Kg.	75Wx80Lx2Th mm	EIL - B0018		Blade for Finger	----	EN 42 J	76W x 81L x 2Th mm 0.066 Kg.	
EIL - B0007		Blade for Finger Full RR Teeth	John Deere	0.049 Kg.	75Wx80Lx2Th mm	EIL - B0019		Blade for Combine	503601 0450	----	40W x 93L x 3Th mm 0.075 Kg.	
EIL - B0008		Blade Twisted	John Deere 559033 10	----	45Wx107Lx4Th x 18.25 Dia	EIL - B0020		Blade for FR Teeth W / Pin	60624	----	----	0.147 Kg.
EIL - B0009		Blade for Finger FR Teeth	John Deere 18677	0.089 Kg.	Th 2.7 mm	EIL - B0021		Blade Rear Teeth Full	104004.1	----	76W x 80L x 2Th mm 0.060 Kg.	
EIL - B0010		Blade for Finger FR T & 2 Hole	John Deere 45328	0.079 Kg.	75Wx80Lx2Th mm	EIL - B0022		Blade for Finger	----	----	76W x 80L x 2.5Th mm 0.077 Kg.	
EIL - B0011		Blade for Finger	John Deere 500085 54010	0.065 Kg.	----	EIL - B0023		Blade for Finger	----	----	76W x 80L x 2.5Th mm 0.077 Kg.	
EIL - B0012		Blade for Finger FR Teeth	Fiat / New Holland 43282	0.084 Kg.	75Wx80Lx2Th mm	EIL - B0024		Blade	----	----	490 x 107.5 x 10 mm 3.188 Kg.	
						EIL - B0025		Blade FR Teeth W / Pin	60624	----	----	0.147 Kg.

Material : EN 42J



RASP BAR

ITEM CODE	PRODUCTS	NAME	APPLICATION	MATERIAL	LENGTH	WEIGHT
EIL - R0001		RASP BAR	Bison Combine L / R	Mild Steel (CK 45 As Per German STD)	1224 mm	5.575 Kg.
EIL - R0002		RASP BAR	Claas L / R	Mild Steel (CK 45 As Per German STD)	1224 mm	3.34 Kg.
EIL - R0003		RASP BAR	Claas L / R Thick Section	Mild Steel (CK 45 As Per German STD)	780 mm	2.660 Kg.
EIL - R0004		RASP BAR	Claas L / R Thick Section	Mild Steel (CK 45 As Per German STD)	1043 mm	3.480 Kg.
EIL - R0005		RASP BAR	Claas L / R Thick Section	Mild Steel (CK 45 As Per German STD)	1240 mm	4.000 Kg.
EIL - R0006		RASP BAR	John Deere L / R	Mild Steel (CK 45 As Per German STD)	1020 mm	4.80 Kg.
EIL - R0007		RASP BAR	John Deere L / R	Mild Steel (CK 45 As Per German STD)	1300 mm	6.100 Kg.
EIL - R0008		RASP BAR	John Deere L / R	Mild Steel (CK 45 As Per German STD)	1580 mm	7.500 Kg.
EIL - R0009		RASP BAR	John Deere L / R	Mild Steel (CK 45 As Per German STD)	1313 mm	6.150 Kg.
EIL - R0010		RASP BAR	John Deere L / R	Mild Steel (CK 45 As Per German STD)	1055 mm	4.950 Kg.
EIL - R0011		RASP BAR	John Deere L / R	Mild Steel (CK 45 As Per German STD)	1690 mm	7.950 Kg.
EIL - R0012		RASP BAR	John Deere L / R	Mild Steel (CK 45 As Per German STD)	1000 mm	4.705 Kg.
EIL - R0013		RASP BAR	John Deere L / R	Mild Steel (CK 45 As Per German STD)	1040 mm	4.893 Kg.
EIL - R0014		RASP BAR	John Deere L / R	Mild Steel (CK 45 As Per German STD)	1250 mm	5.881 Kg.
EIL - R0015		RASP BAR	John Deere L / R	Mild Steel (CK 45 As Per German STD)	1280 mm	6.022 Kg.
EIL - R0016		RASP BAR	John Deere L / R	Mild Steel (CK 45 As Per German STD)	1290 mm	6.069 Kg.



HARVESTER PARTS

EIL - 10001
Rotary Tiller (Single Speed)



EIL - 10002
Spring Loaded Tiller



EIL - 10003
Spring Loaded Tiller (USA Model)



EIL - 10005
Mounted / Trailed Offset Disc Harrow (Compact Model)



EIL - 10007
Mounting Offset Disc Harrow
Lubricated Taper Roller Bearing Hubs



EIL - 10009
Mounting Disc Plough



EIL - 10011
Mounted M.B. Plough



EIL - 10012
Tyne Ridger





EIL - 10013
Reciprocating Forge Mower



EIL - 10014
Grooming Mower



EIL - 10015
Sub Soiler



EIL - 10016
Medium Duty Post Hole Digger



EIL - 10017
Heavy Duty Land Leveller



EIL - 10019
Terracer Blades



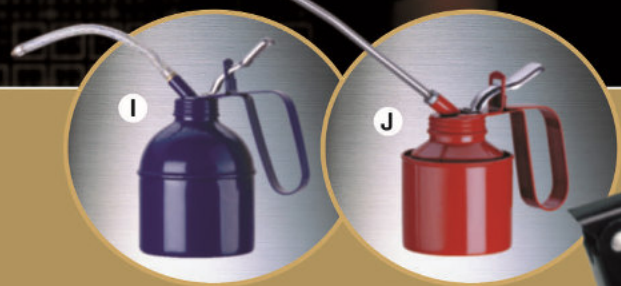


HAND TOOLS

SPANNERS



WHEEL SPANNERS



LUBRICATING TOOLS



www.jrsfarmparts.com



Eastman Industries Ltd.

Head Office :
C-87, Phase-V, Focal Point, Ludhiana -141 010 Punjab. (INDIA)
Tel. : ++91-161-2670935, 2670936, 5280000
Fax : ++91-161-2670934
e-mail : farmparts@eastmanglobal.com
agriparts06@eastmanglobal.com
jaswinder@eastmanglobal.com

Eastman Cast & Forge Ltd.

Works :
Near Ludhiana Airport,
G.T. Road, Ludhiana, Punjab (INDIA)

**www
jrsfarmparts.com**

visit us at :

 <http://www.eastmanfarmparts.com/>  <https://www.facebook.com/eastman.farmparts>

 <https://www.linkedin.com/pub/eastman-farmparts/52/59a/69a>  agripart06 , jaswinder.gill53

 <https://plus.google.com/111249809880070161034/posts/p/pub>